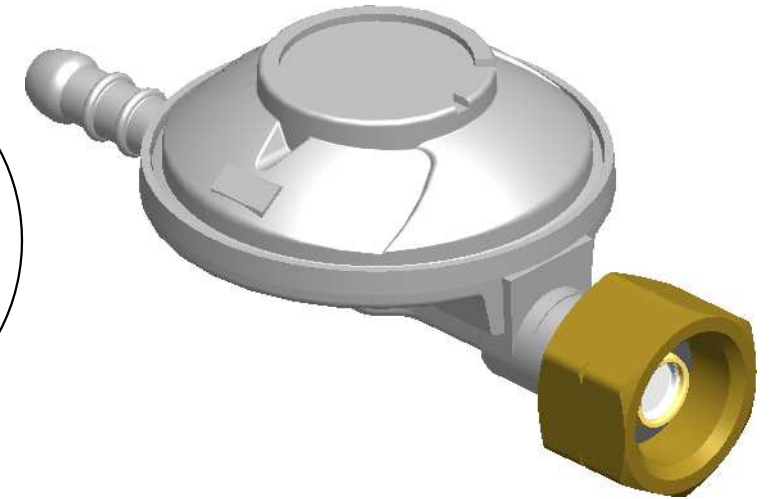
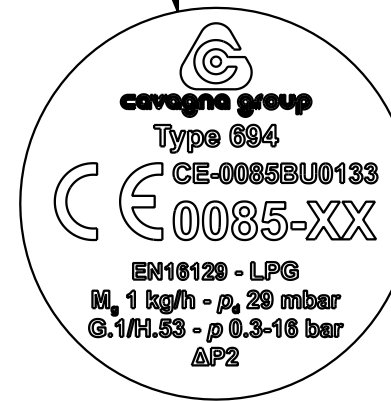


EXPEDITION BOX LABEL

INK STAMP

NS Code:	69-1-490-2473
VS Code:	-
Description:	SINGLE STAGE REGULATOR TYPE 694 LPG 29 mbar 1.0 Kg/h
	INLET: W20X1/14" L.H. OUTLET: HN 9.8
Pcs per carton:	50
Date:	DD/MM/YY



CE DECLARATION OF CONFORMITY TO BE ADDED AT EVERY SHIPMENT.
DICHIARAZIONE CE DI CONFORMITÀ DA AGGIUNGERE AD OGNI SPEDIZIONE.



NO	NO PRODUCT	DENOMINATION	Q. TY
1	00-1-121-0319	BODY TYPE 69-K6 HN 9.8	1
2	02-1-950-0021	STANDARD SUB ASSAMBLED ROCKER ARM	1
3	05-1-110-0001	STANDARD LEVER PIN	1
4	09-1-950-0097	S/A DIAPHRAGM NBR	1
5	07-1-110-0416	SETTING SPRING 30mbar	1
6	01-1-121-0186	COVER mod. Ø63 K6 A12	1
7	24-1-110-0001	WHITE ALUMINIUM RAL 9006	1
8	04-1-110-0502	O RING	1
9	16-1-950-0092	S/I RACCORDO BROCCIATO	1
10	10-1-110-0005	UNION NUT - W20x1/14" (G.1)	1
11	04-1-110-0007	SEALING WASHER	1
12	18-1-310-1030	INK STAMP FOR TYPE 694	1
13	34-1-110-1135	INSTRUCTION FOR TYPE 694 - EN16129 (IT-GR)	1
14	23-1-021-0035	IMBALLO STANDARD FILM	1
15	23-1-510-0002	STANDARD BOX (R34)	1
16	34-1-210-2911	EXPEDITION BOX LABEL	1

	DENOMINATION		SINGLE STAGE REGULATOR		LPG 29 mbar 1 kg/h							
	RECA		N.A.		N.A.							
MODEL	694	ORIFICE	1.6	INLET	W20X1/14" L.H.	OUTLET	HN 9.8	SHARED	N.A.	PROD. INT GROUP	-	
PERFORMANCE DOC.	694-109	COUNTRY	ITALY	COUNTRY SPECIFIC	EN16129	WEIGHT	N.A.	SCALE	1:1	MODIFY FILE	DM06036	
PROD. EVOLUTION	DEFINITIVE	PROJECT NO	N.A.	RELEASE LEVEL	APPROVED+	DRAWN BY	RUSSO R.	VERIFIED BY	TOMASELLI L.	APPROVED BY	SCHLICK B.	
										DATE	08/03/18	
										69-1-490-2473		1