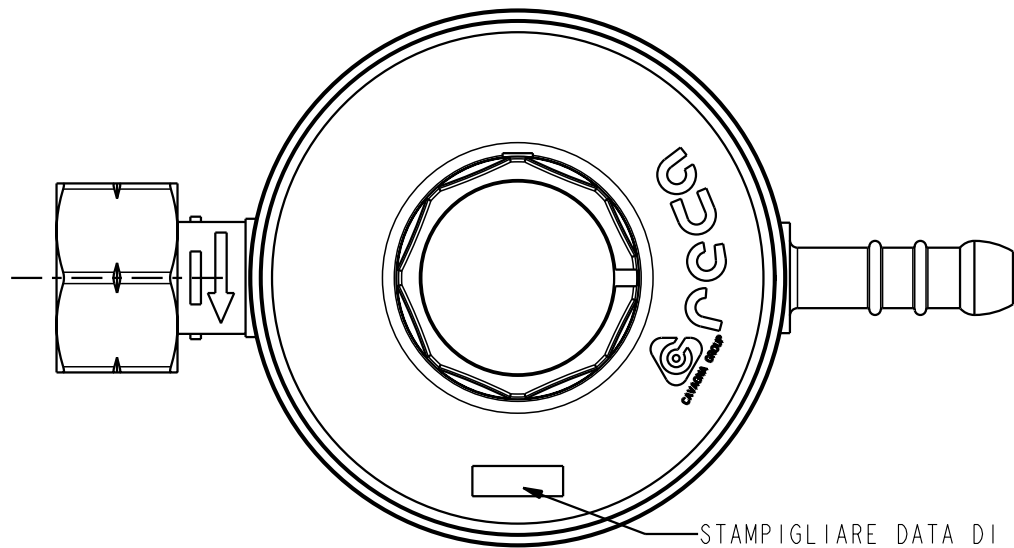
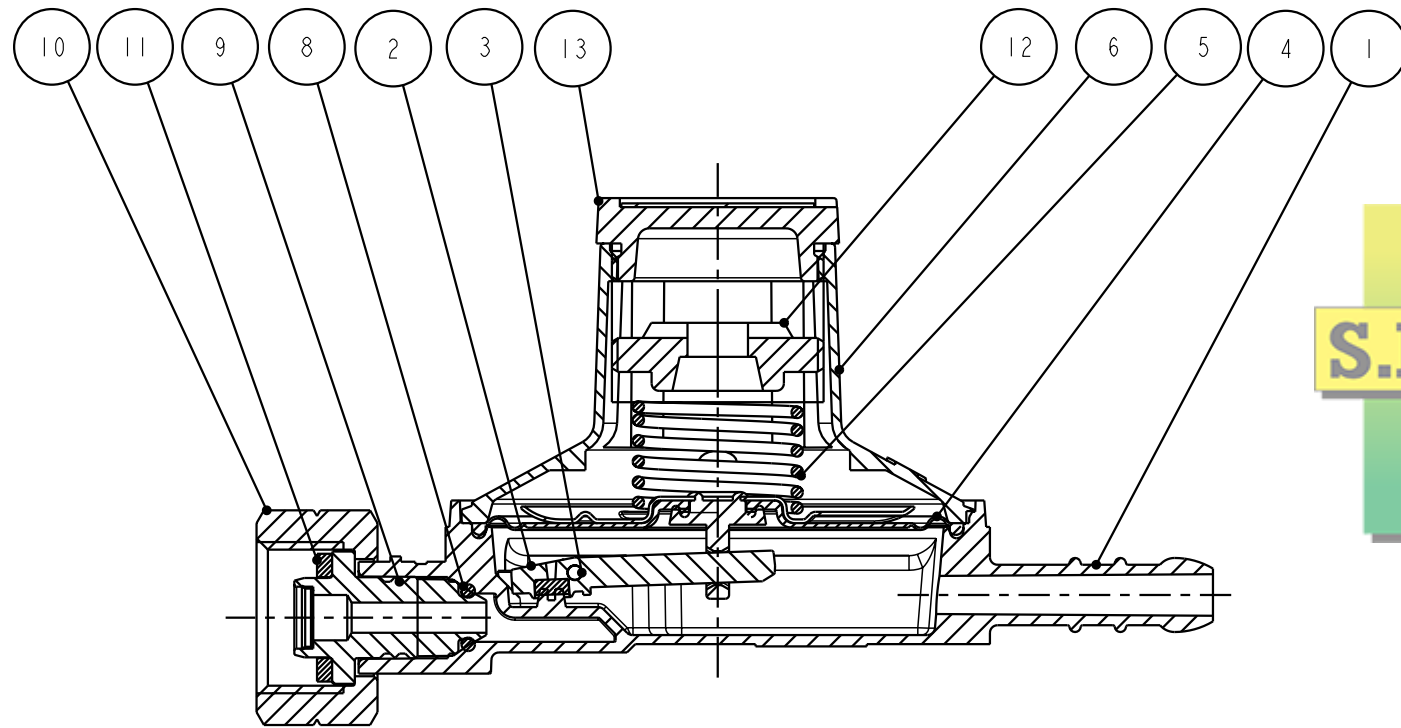
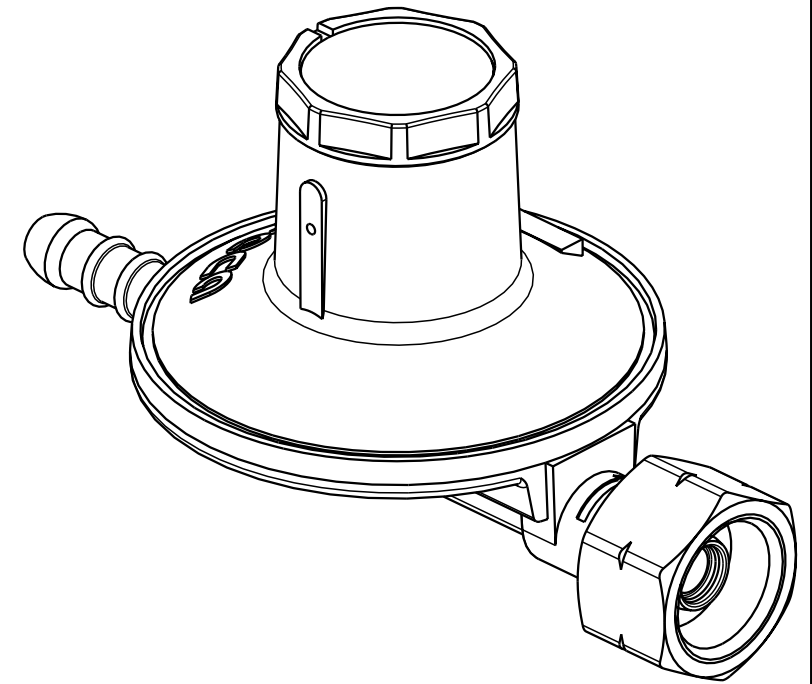


PARTICOLARE TARGHETTA



STAMPIGLIARE DATA DI FABBRICAZIONE
MESE (+4) - ANNO

NO	NO PRODUCT	DENOMINATION	Q.TY
1	00-1-121-0123	SCATOLA MOD.72-K6 ITALIA	1
2	02-1-950-0017	SUB ASSEMBLY LEVER MOD.72-K6	1
3	05-1-110-0001	STANDARD LEVER PIN	1
4	09-1-950-0079	SUB ASSEMBLY DIAPHRAGM	1
5	07-1-110-0104	MOLLA DI TARATURA	1
6	01-1-150-0084	COPERCHIO SEMIREGOLABILE	1
7	24-1-110-0001	SILVER PAINT (METAL GLOSS)	1
8	04-1-110-0502	O RING	1
9	16-1-950-0092	S/I RACCORDO BROCCIATO	1
10	10-1-110-0005	UNION NUT - W 20 X 1/14'' GI-EN 12864	1
11	04-1-110-0007	SEALING WASHER	1
12	08-1-110-0032	PREMIMOLLA	1
13	19-1-950-0060	S/I PLUG TYPE 71 LPG - 30 mbar - 1.5 kg/h	1
14	34-1-110-0412	NOTIZIA FOR TYPE 713	2
15	23-1-021-0044	IMBALLO STANDARD IN ROTOLI (FILM)	1
16	23-1-510-0002	STANDARD BOX (R34)	1

	DENOMINATION		REGOLATORE SEMIREGOLABILE SINGOLO STADIO		LPG	30 mbar	1.5 Kg/h
	N.A.						
RECA	MODEL	ORIFICE	INLET		OUTLET	SHARED	PROD. INT GROUP
	713	1.6	W20X1/14" L.H.		HN 9.8	I	YES
PERFORMANCE DOC.	COUNTRY	COUNTRY SPECIFIC	WEIGHT	SCALE	MODIFY FILE	PRODUCT NO	
740	GRECIA	SHELL	-	1:1	2643	71-1-390-2002	
PROD. EVOLUTION	PROJECT NO	RELEASE LEVEL	DRAWN BY	VERIFIED BY	APPROVED BY	DATE	REV
DEFINITIVE	N.A.	APPROVED+	MORI E.	TOMASELLI L.	SCHLICK B.	20/10/08	5