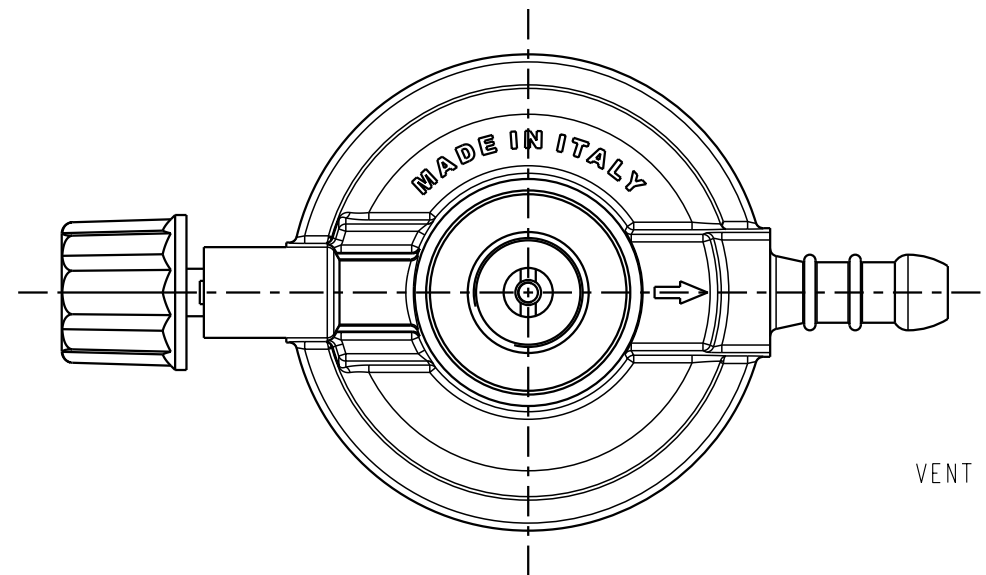
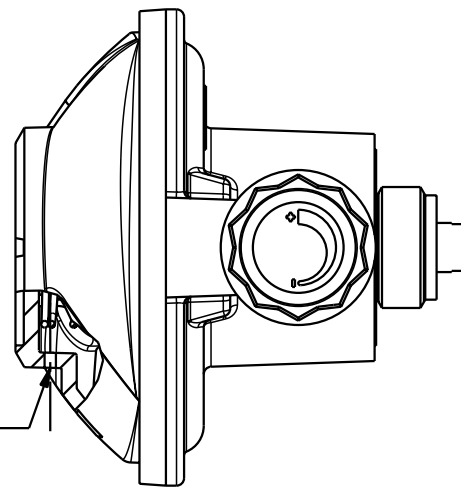


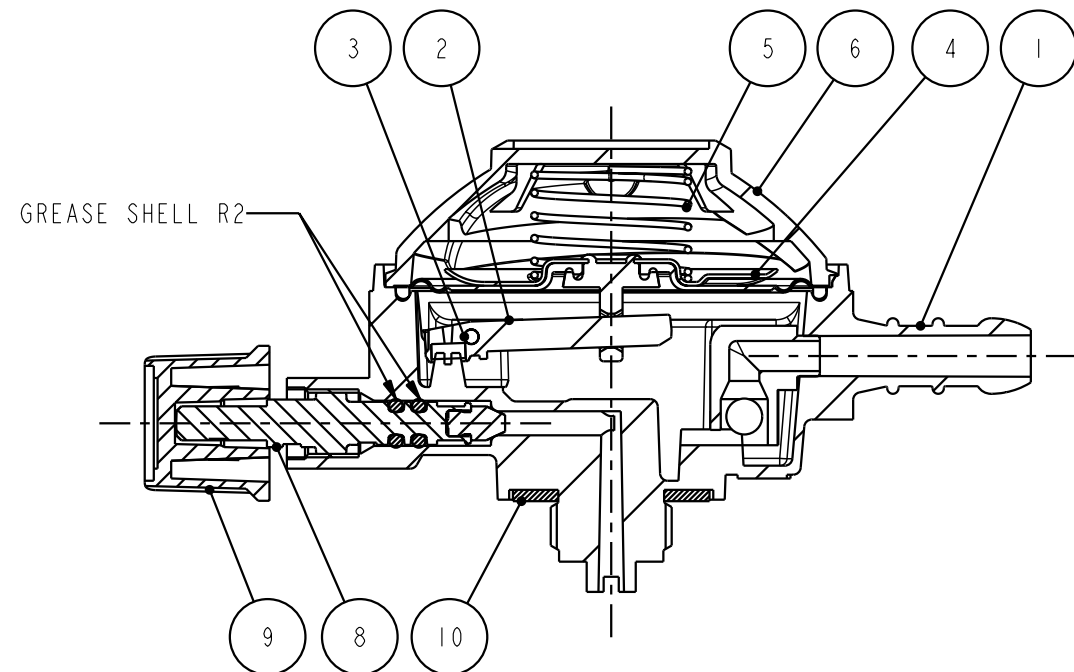
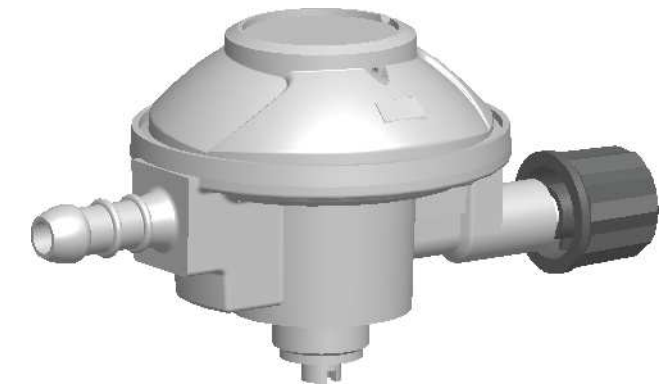
This drawing may not be copied or distributed in any way without the written permission of Cavagna Group Div. RE.CA. Via Matteotti, 5 - Calvisano - BS - Italy



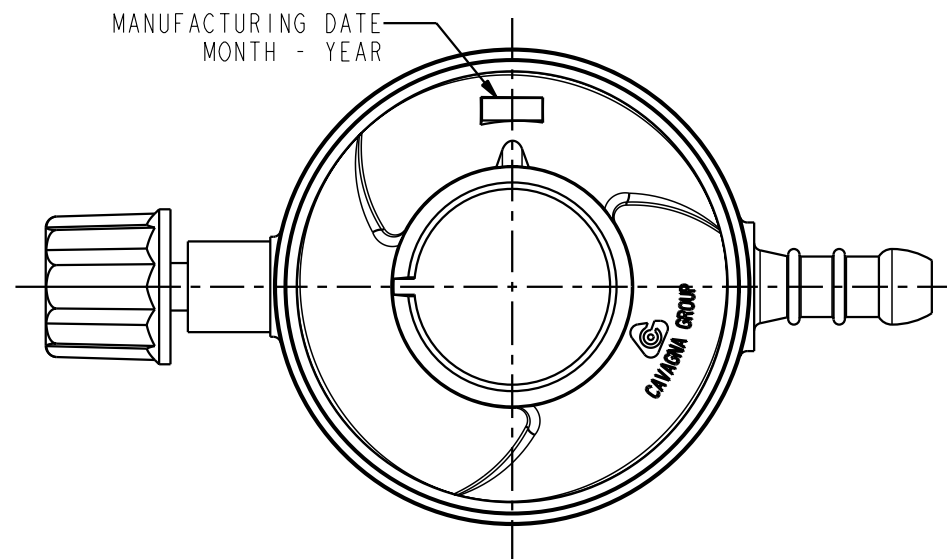
VENT DRILL Ø1.5



INK STAMP



MANUFACTURING DATE
MONTH - YEAR



CE DECLARATION OF CONFORMITY TO BE ADDED AT EVERY SHIPMENT.
DICHIARAZIONE DI CONFORMITÀ DA AGGIUNGERE AD OGNI SPEDIZIONE.

NO	NO PRODUCT	DENOMINATION	Q. TY
1	00-1-950-0051	S/A CAMPING BODY WITH E.F.V. MI6-HN 10	1
2	02-1-950-0021	STANDARD SUB ASSAMBLED ROCKER ARM	1
3	05-1-110-0001	STANDARD LEVER PIN	1
4	09-1-950-0097	S/A DIAPHRAGM NBR	1
5	07-1-110-0346	SETTING SPRING	1
6	01-1-121-0117	COVER mod. Ø63 K6 A12	1
7	24-1-110-0001	WHITE ALUMINIUM RAL 9006	1
8	03-1-950-0008	S/I PISTONCINO CAMPING	1
9	13-1-110-0014	VOLANTINO	1
10	04-1-110-0021	GUARNIZIONE	1
11	18-1-310-1011	INK STAMP FOR TYPE 794	1
12	34-1-110-1048	INSTRUCTION FOR TYPE 794 - EN16129 (DE-FR-NL)	1
13	34-1-110-1267	INSTRUCTION FOR TYPE 794 - EN16129 (EN-ES-PT-IT-GR)	1
14	23-1-021-0037	IMBALLO STANDARD REGOLATORE (FILM)	1
15	23-1-510-0002	STANDARD BOX (R34)	1

	DENOMINATION		CAMPING REGULATOR WITH E.F.V.		BUTANE 29 mbar 0.8 kg/h		
	RECA		N.A.		N.A.		
PERFORMANCE DOC.	MODEL	ORIFICE	INLET		OUTLET	SHARED	
N.A.	794	1.6	M 16X1.5 MALE		HN 10	N.A.	
PROD. EVOLUTION	COUNTRY	COUNTRY SPECIFIC	WEIGHT	SCALE	MODIFY FILE	PROD. INT GROUP	
DEFINITIVE	EEC	EN16129	-	1:1	DM06071	-	
	PROJECT NO	RELEASE LEVEL	DRAWN BY	VERIFIED BY	APPROVED BY	DATE	
	N.A.	APPROVED+	SCARPELLA A.	TOMASELLI L.	SCHLICK B.	02/03/18	
						79-1-490-2701	14