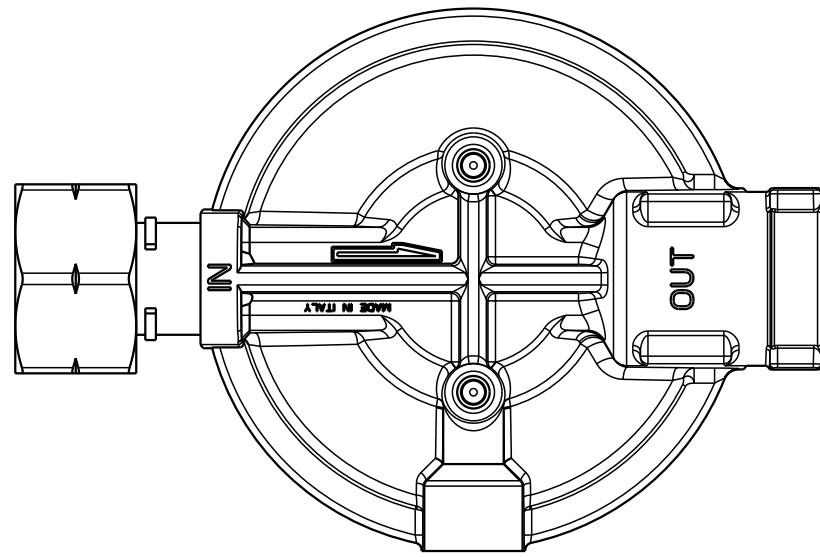
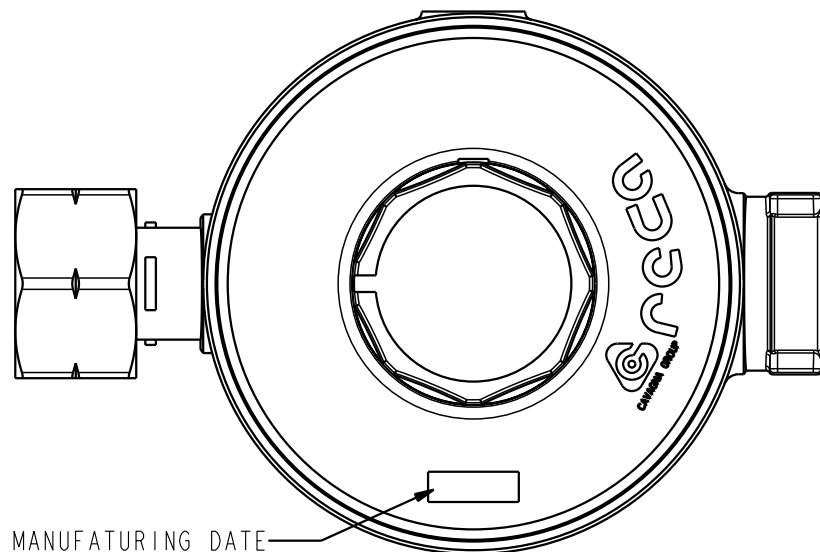
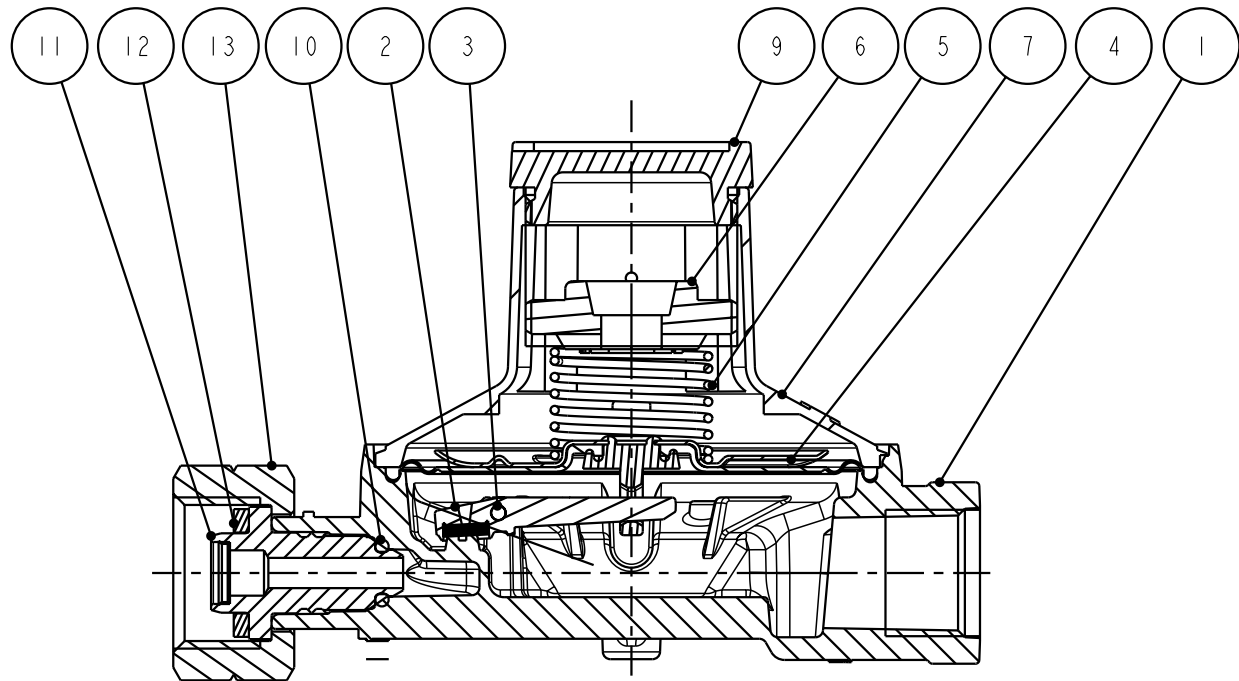
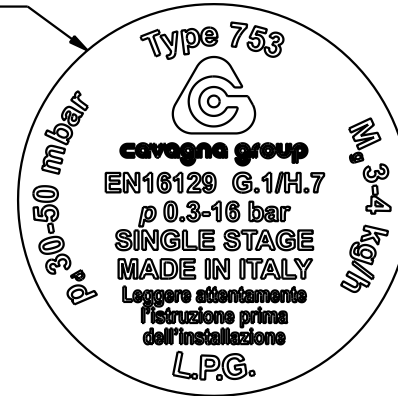


This drawing may not be copied or distributed in any way without the written permission of Cavagna Group Div. RE.CA. Via Matteotti, 5 - Calvisano - BS - Italy



INK STAMP



MANUFACTURING DATE
MONTH (+4) - YEAR

NO	NO PRODUCT	DENOMINATION	Q.TY
1	00-1-022-1570	BODY TYPE 75 - BROACHED Ø 14.8 - Rp 3/8 MACHINED	1
2	02-1-950-0016	S/I LEVETTA ZAMA - PASTICCA VITON	1
3	05-1-110-0001	STANDARD LEVER PIN	1
4	09-1-950-0027	S/A DIAPHRAGM STANDARD	1
5	07-1-110-0140	MOLLA DI TARATURA 40 mbar	1
6	08-1-110-0032	PREMIMOLLA	1
7	01-1-150-0084	COPERCHIO SEMIREGOLABILE	1
8	24-1-110-0001	WHITE ALUMINIUM RAL 9006	1
9	19-1-110-2052	TAPPO MOD.75 STANDARD	1
10	04-1-110-0502	O RING	1
11	16-1-950-0092	S/I RACCORDO BROCCIATO	1
12	04-1-110-0007	SEALING WASHER	1
13	10-1-110-0005	UNION NUT - W 20 X 1/14" GI-EN 12864	1
14	18-1-310-0823	INK STAMP FOR TYPE 753	1
15	34-1-110-0376	INSTRUCTION FOR TYPE 753 (IT-GR) EN16129	1
16	23-1-021-0044	IMBALLO STANDARD IN ROTOLI (FILM)	1
17	23-1-510-0024	STANDARD BOX (R52)	1

	DENOMINATION		SINGLE STAGE ADJUSTABLE REGULATOR		LPG 30-50 mbar 3-4 kg/h	
	MODEL		ORIFICE		INLET	
RECA	753	2.3	W20X1/14" L.H.		OUTLET	G 3/8 FEMALE
PERFORMANCE DOC.	COUNTRY	COUNTRY SPECIFIC	WEIGHT	SCALE	MODIFY FILE	PRODUCT NO
798	ITALY	EN16129	-	1:1	DM05423	75-1-390-0007
PROD. EVOLUTION	PROJECT NO	RELEASE LEVEL	DRAWN BY	VERIFIED BY	APPROVED BY	DATE
DEFINITIVE	N.A.	APPROVED+	RUSSO R.	TOMASELLI L.	SCHLICK B.	09/03/16