

STANDARD BOX

**CAVAGNA GROUP S.p.A.**

**73-1-490-0058**

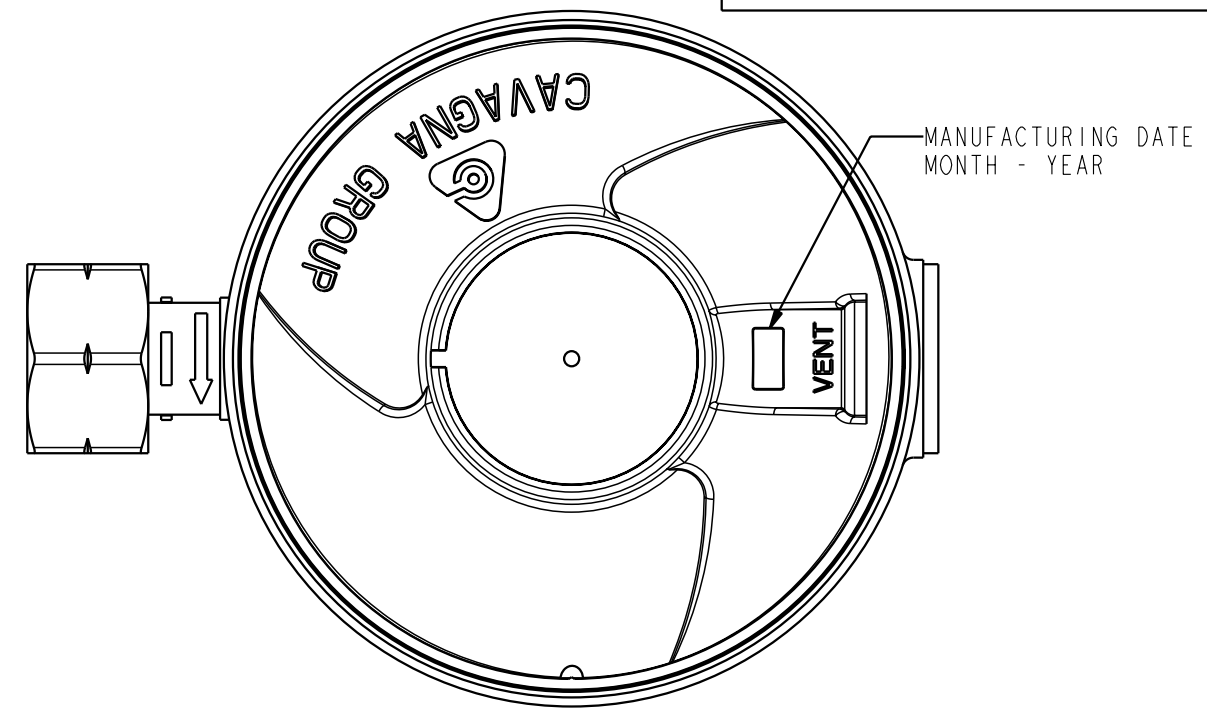
**TYPE 734 L.P.G.**

**Single stage regulator**

**29 mbar 3 kg/h**

**MADE IN ITALY**

Date MM/YY      Quantity **25**



NO	NO PRODUCT	DENOMINATION	Q.TY
1	00-4-150-0049	SCATOLA MOD.73 RAPP.1/6 - (BROCCIATA - 3/8F)	1
2	05-4-110-0020	PIN-LEVER	1
3	02-4-950-0005	S/I LEVETTA MOD.73 USA	1
4	09-4-950-0034	S/I MEMBRANA MOD.73-EUR	1
5	07-1-110-0655	SETTING SPRING 29-30 mbar (TYPE 73)	1
6	01-1-121-0072	COPERCHIO MOD.73 EUR	1
7	24-1-110-0001	WHITE ALUMINIUM RAL 9006	1
8	04-1-110-0502	O RING	1
9	16-1-950-0092	S/I RACCORDO BROCCIATO	1
10	10-1-110-0005	UNION NUT - W20x1/14" (G.1)	1
11	04-1-110-0007	SEALING WASHER	1
12	18-1-310-1468	INK STAMP FOR TYPE 734	1
13	34-1-110-1221	INSTRUCTION TYPE 734 - EN16129 (IT-GR)	1
14	16-1-110-1006	FILTER-STANDARD □ 8.5 x 1.5TK	1
15	23-1-021-0055	ROTOLO PER IMBALLO STANDARD 380 mm	1
16	23-1-510-0024	STANDARD BOX (R52)	1
17	34-1-210-4029	LABEL FOR EXPEDITION BOX	1

	<b>DENOMINATION</b>		SINGLE STAGE REGULATOR - TYPE 734		LPG	29 mbar	3 kg/h
	RECA		MODEL	ORIFICE	INLET	OUTLET	SHARED
PERFORMANCE DOC.	COUNTRY	COUNTRY SPECIFIC	WEIGHT	SCALE	MODIFY FILE	PRODUCT NO	
73-055	ITALY	EN16129	N.A.	1:1	DM06130	73-1-490-0058	
PROD. EVOLUTION	PROJECT NO	RELEASE LEVEL	DRAWN BY	VERIFIED BY	APPROVED BY	DATE	REV
DEFINITIVE	N.A.	APPROVED+	TADEI S.	TOMASELLI L.	SCHLICK B.	08/05/18	14