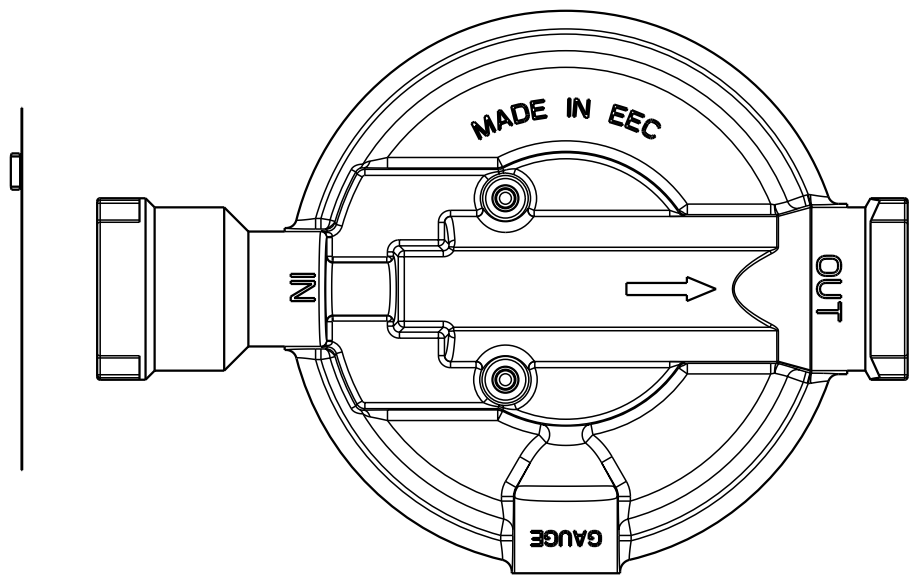
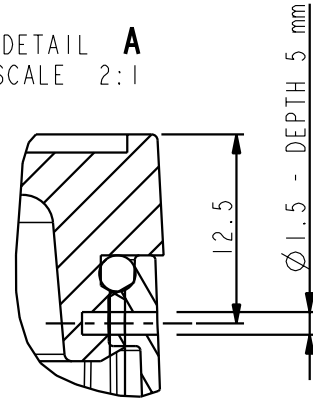


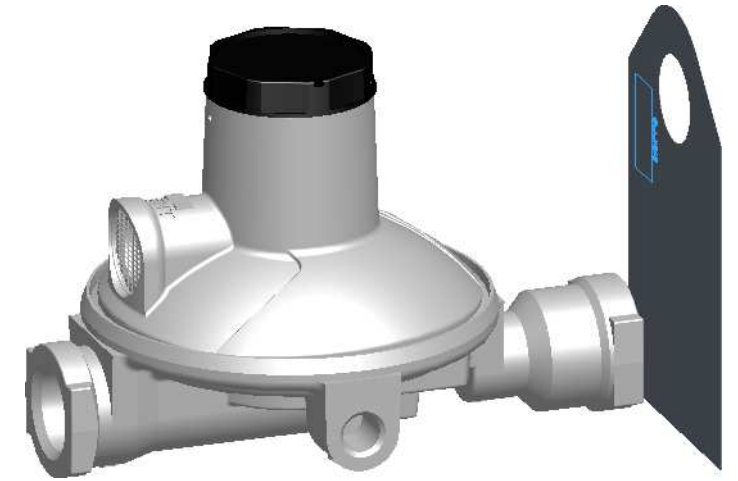
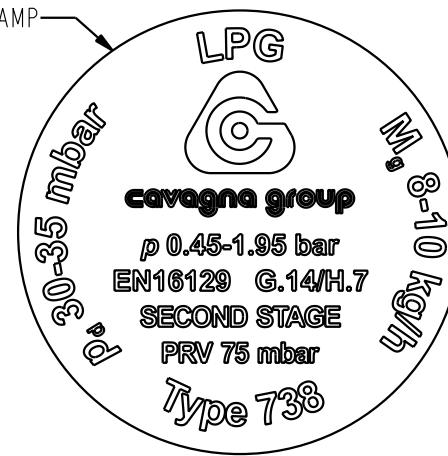
This drawing may not be copied or distributed in any way without the written permission of Cavagna Group Div. RE.CA. Via Matteotti, 5 - Calvisano - BS - Italy



DETAIL A  
SCALE 2:1



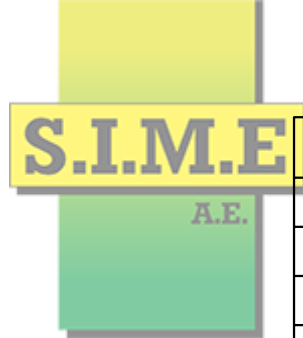
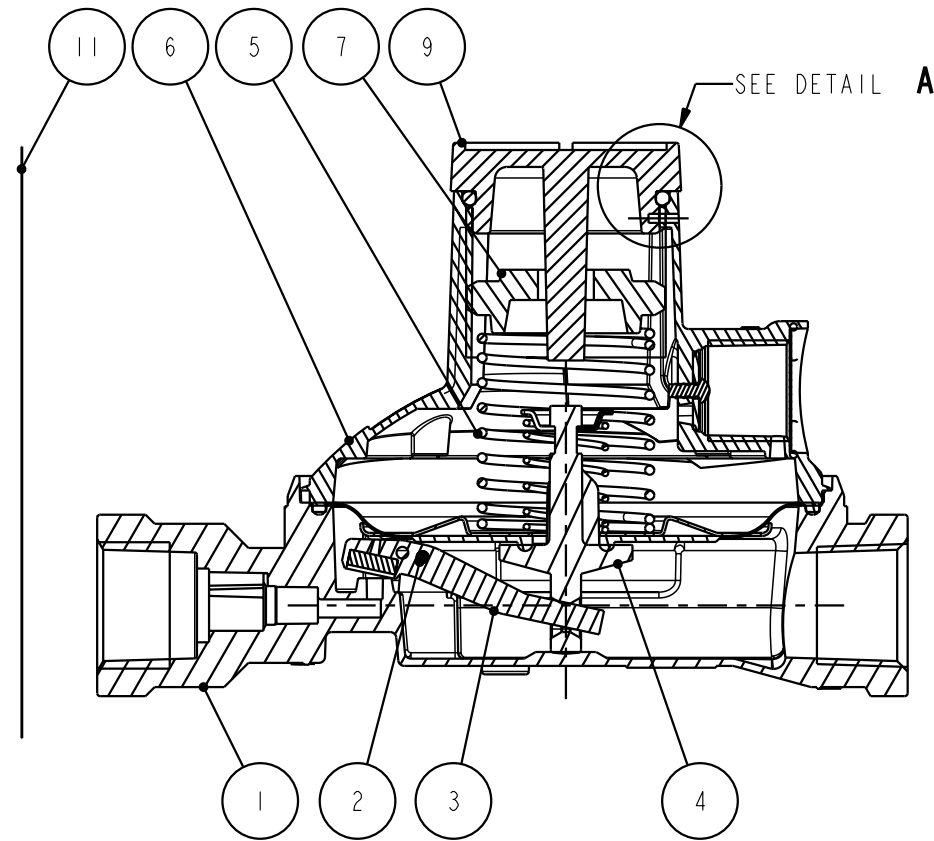
INK STAMP



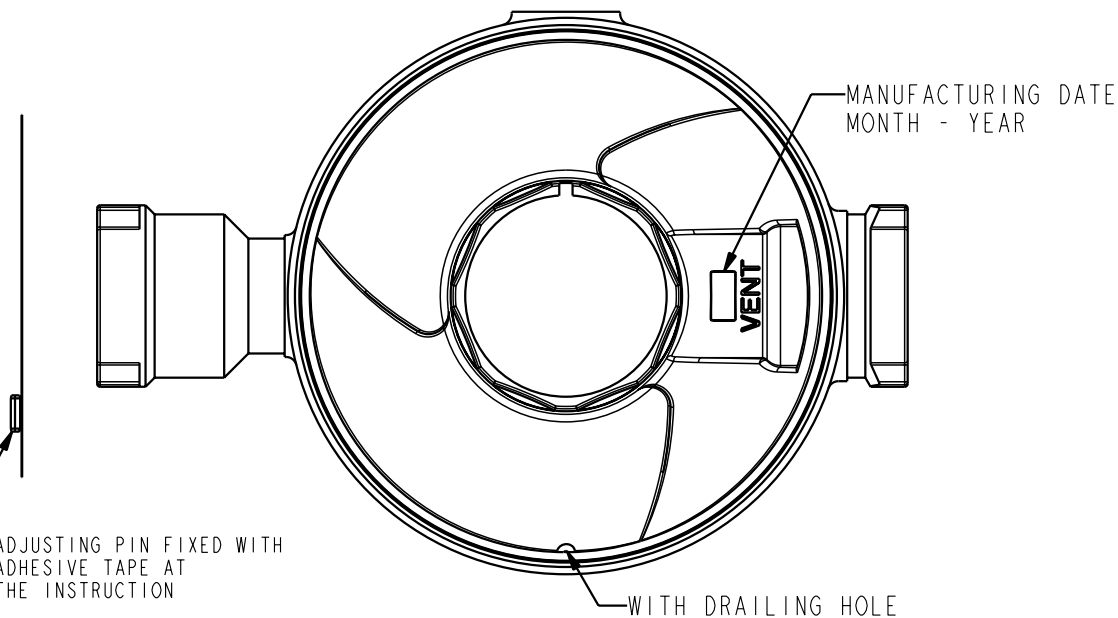
SINGLE BOX LABEL

**SECOND STAGE  
REGULATOR  
TYPE 738 - L.P.G.  
30-35 mbar 8-10 kg/h  
INLET: G 1/2" female  
OUTLET: G 1/2" female**

34-1-210-3131 R.O.



NO	NO PRODUCT	DENOMINATION	Q. TY
1	00-1-150-0101	SCATOLA MOD.73 RAPP.1/3 - (Rp 1/2 ISO7- Rp 1/2 ISO7) lavorata	1
2	05-4-110-0020	PIN-LEVER	1
3	02-4-950-0005	S/I LEVETTA MOD.73 USA	1
4	09-1-950-0074	S/I MEMBRANA VDS MOD.73 EUROPA	1
5	07-1-110-0215	MOLLA TARATURA 28 mbar (TIPO 734 NF)	1
6	01-1-950-0086	S/A COVER FOR REGULATOR TYPE 738 WITH FILTER	1
7	08-4-110-0032	SPRING ADJUSTER	1
8	24-1-110-0001	WHITE ALUMINIUM RAL 9006	1
9	19-4-950-0022	S/I TAPPO MOD.73 USA	1
10	18-1-310-0827	INK STAMP FOR TYPE 738	1
11	34-1-950-0009	S/I NOTIZIA 738A	1
12	23-1-210-0221	IMBALLO REGOLATORE INDIVIDUALE	1
13	34-1-210-3131	SINGLE BOX LABEL FOR TYPE 738	1
14	23-1-510-0024	STANDARD BOX (R52)	1



ADJUSTING PIN FIXED WITH ADHESIVE TAPE AT THE INSTRUCTION

WITH DRAILING HOLE

	DENOMINATION		SECOND STAGE REGULATOR TYPE 738		LPG 30-35 mbar 8-10 kg/h	
	WITH SAFETY					
RECA	MODEL 738	ORIFICE 4.3	INLET G1/2" FEMALE	OUTLET G 1/2 FEMALE	SHARED N.A.	PROD. INT. GROUP -
PERFORMANCE DOC. 73-072	COUNTRY GRECIA	COUNTRY SPECIFIC EN16129	WEIGHT -	SCALE 4:5	MODIFY FILE DM06071	PRODUCT NO 73-1-890-0093
PROD. EVOLUTION DEFINITIVE	PROJECT NO N.A.	RELEASE LEVEL APPROVED+	DRAWN BY SCARPELLA A.	VERIFIED BY TOMASELLI L.	APPROVED BY SCHLICK B.	DATE 06/03/18
						5