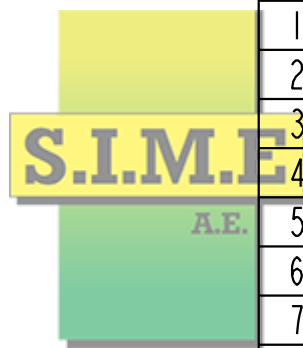
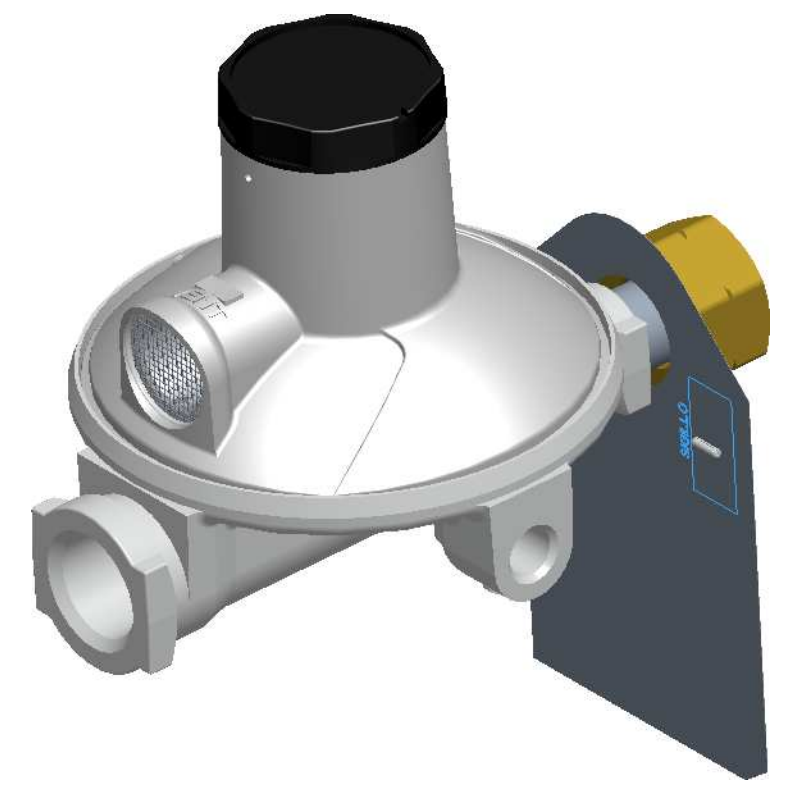
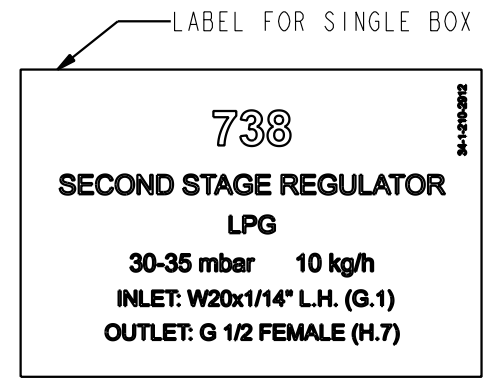
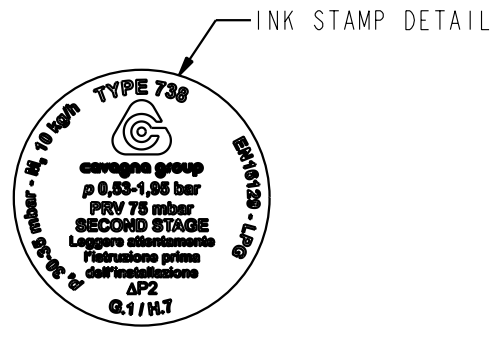
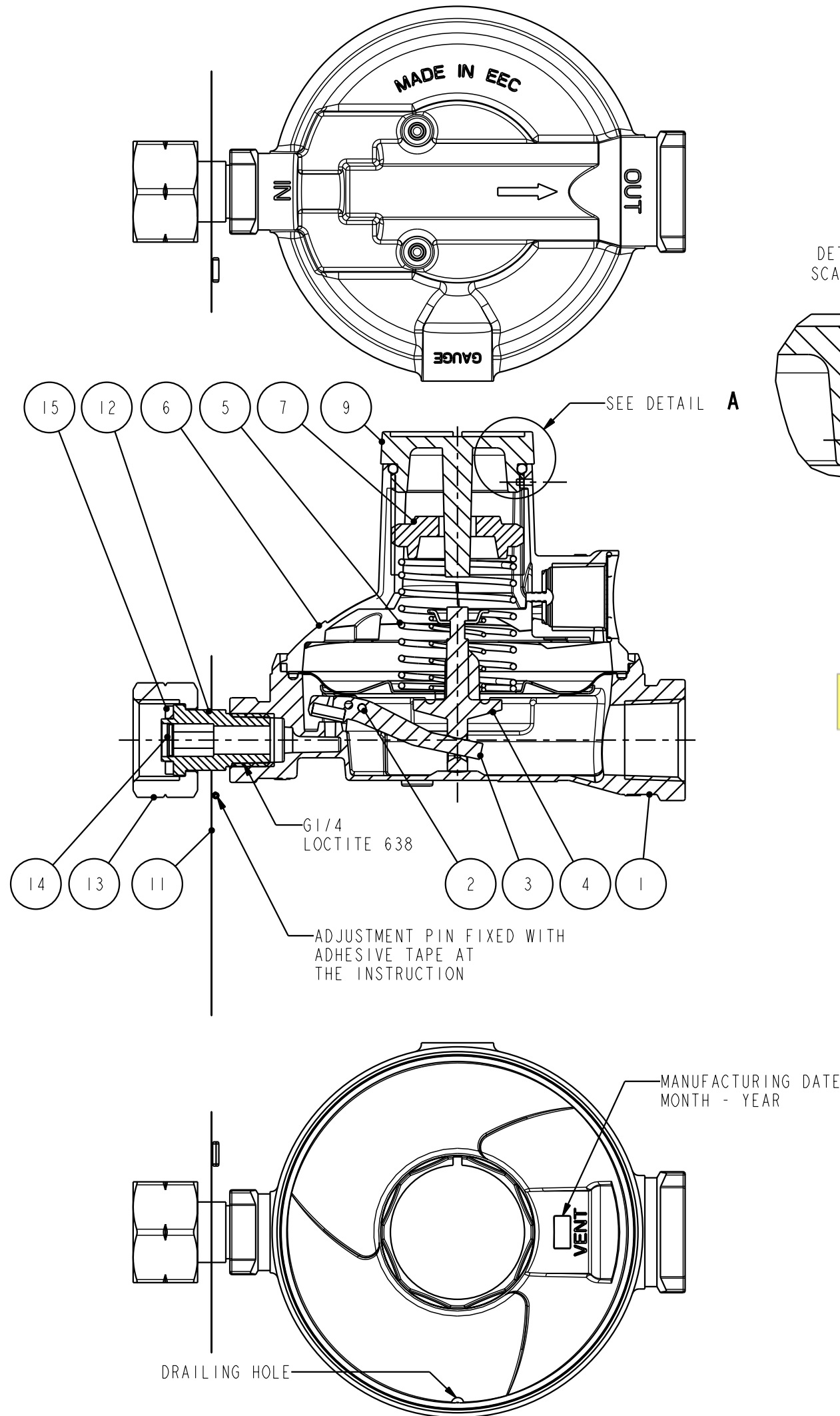


This drawing may not be copied or distributed in any way without the written permission of Cavagna Group Div. RE.CA. Via Matteotti, 5 - Calvisano - BS - Italy



NO	NO PRODUCT	DENOMINATION	Q.TY
1	00-1-150-0100	SCATOLA MOD.73 RAPP.1/3 - (G 1/4F - G 1/2F) lavorata	1
2	05-4-110-0020	PIN-LEVER	1
3	02-4-950-0005	S/I LEVETTA MOD.73 USA	1
4	09-1-950-0074	S/I MEMBRANA VDS MOD.73 EUROPA	1
5	07-1-110-0215	MOLLA TARATURA 28 mbar (TIPO 734 NF)	1
6	01-1-950-0086	S/A COVER FOR REGULATOR TYPE 738 WITH FILTER	1
7	08-4-110-0032	SPRING ADJUSTER	1
8	24-1-110-0001	WHITE ALUMINIUM RAL 9006	1
9	19-4-950-0022	S/I TAPPO MOD.73 USA	1
10	18-1-310-0800	INK STAMP FOR TYPE 738	1
11	34-1-950-0009	S/I NOTIZIA 738A	1
12	16-1-110-0126	RACCORDO	1
13	10-1-110-0005	UNION NUT - W20x1/14" (G.1)	1
14	16-1-110-1006	FILTER-STANDARD □ 8.5 x 1.5TK	1
15	04-1-110-0007	SEALING WASHER	1
16	23-1-210-0221	IMBALLO REGOLATORE INDIVIDUALE	1
17	34-1-210-2912	SINGLE BOX LABEL FOR TYPE 738	1
18	23-1-510-0024	STANDARD BOX (R52)	1

	DENOMINATION		SECOND STAGE REGULATOR TYPE 738		LPG	30-35 mbar 10 kg/h		
	OARA		MODEL	ORIFICE	INLET	OUTLET	SHARED	PROD. INT GROUP
PERFORMANCE DOC.	COUNTRY	COUNTRY SPECIFIC	WEIGHT	SCALE	MODIFY FILE	PRODUCT NO		REV
73-072	GRECIA	-	-	4:5	DM06071	73-1-890-0092		6
PROD. EVOLUTION	PROJECT NO	RELEASE LEVEL	DRAWN BY	VERIFIED BY	APPROVED BY	DATE		
DEFINITIVE	2583-08-1	APPROVED+	SCARPELLA A.	TOMASELLI L.	SCHLICK B.	06/03/18		