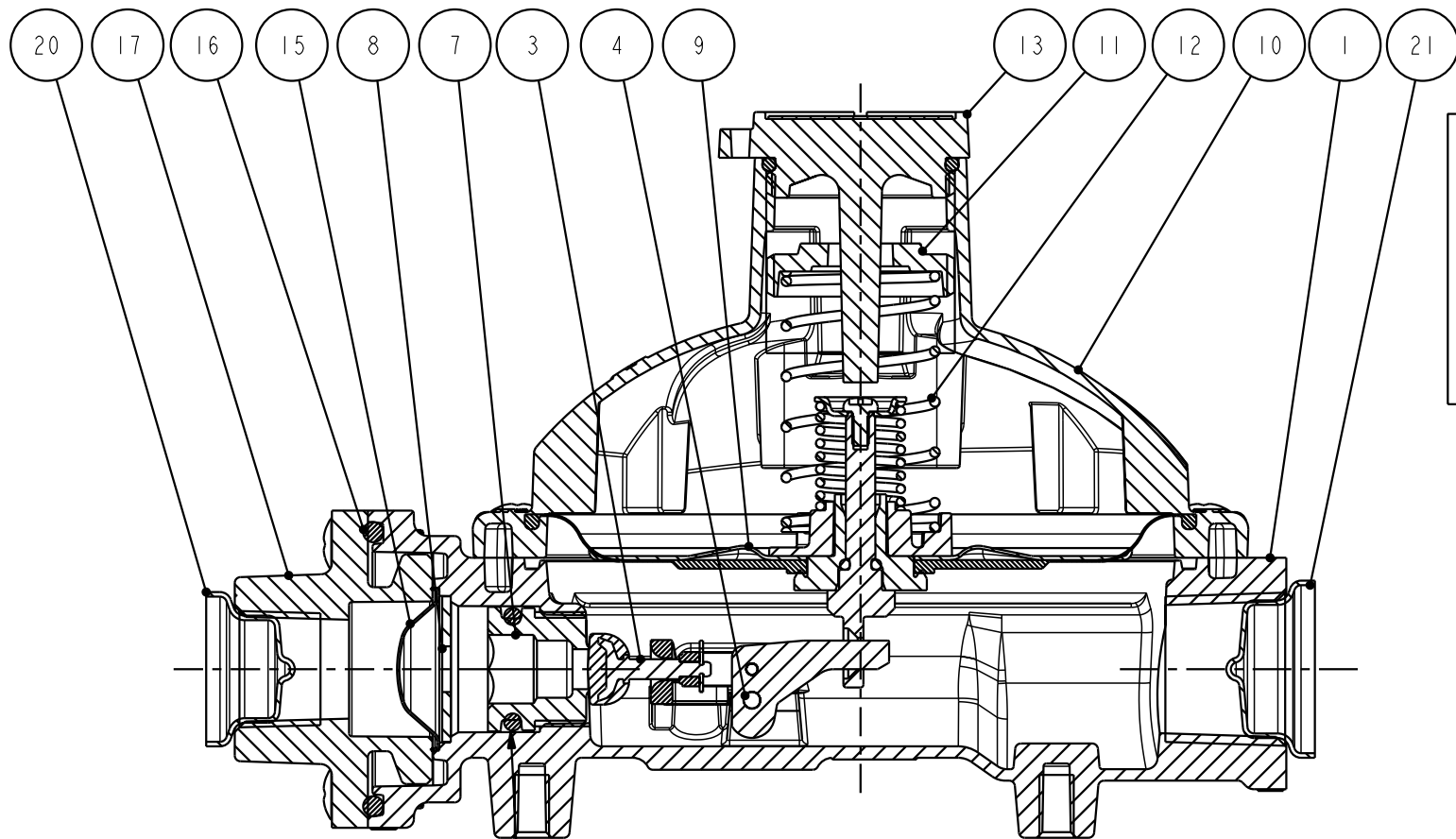


This drawing may not be copied or distributed in any way without the written permission of Cavagna Group Div. RE.CA. Via Matteotti, 5 - Calvisano - BS - Italy

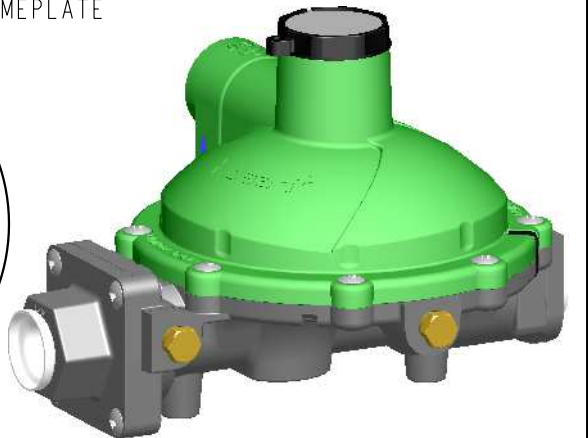
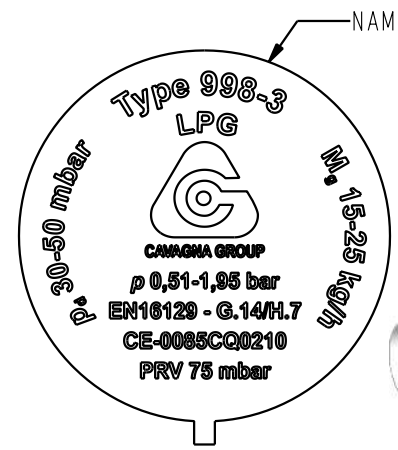


SINGLE BOX LABEL

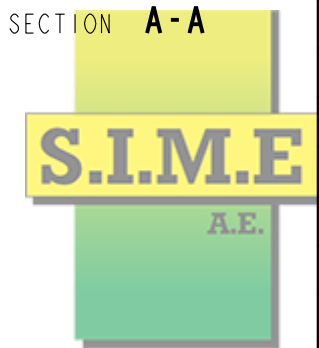
998-3

Second stage regulator
L.P.G.

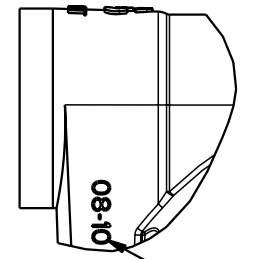
30-50 mbar 15-25 kg/h
INLET: Rp 1/2" FEMALE
OUTLET: Rp 3/4" FEMALE



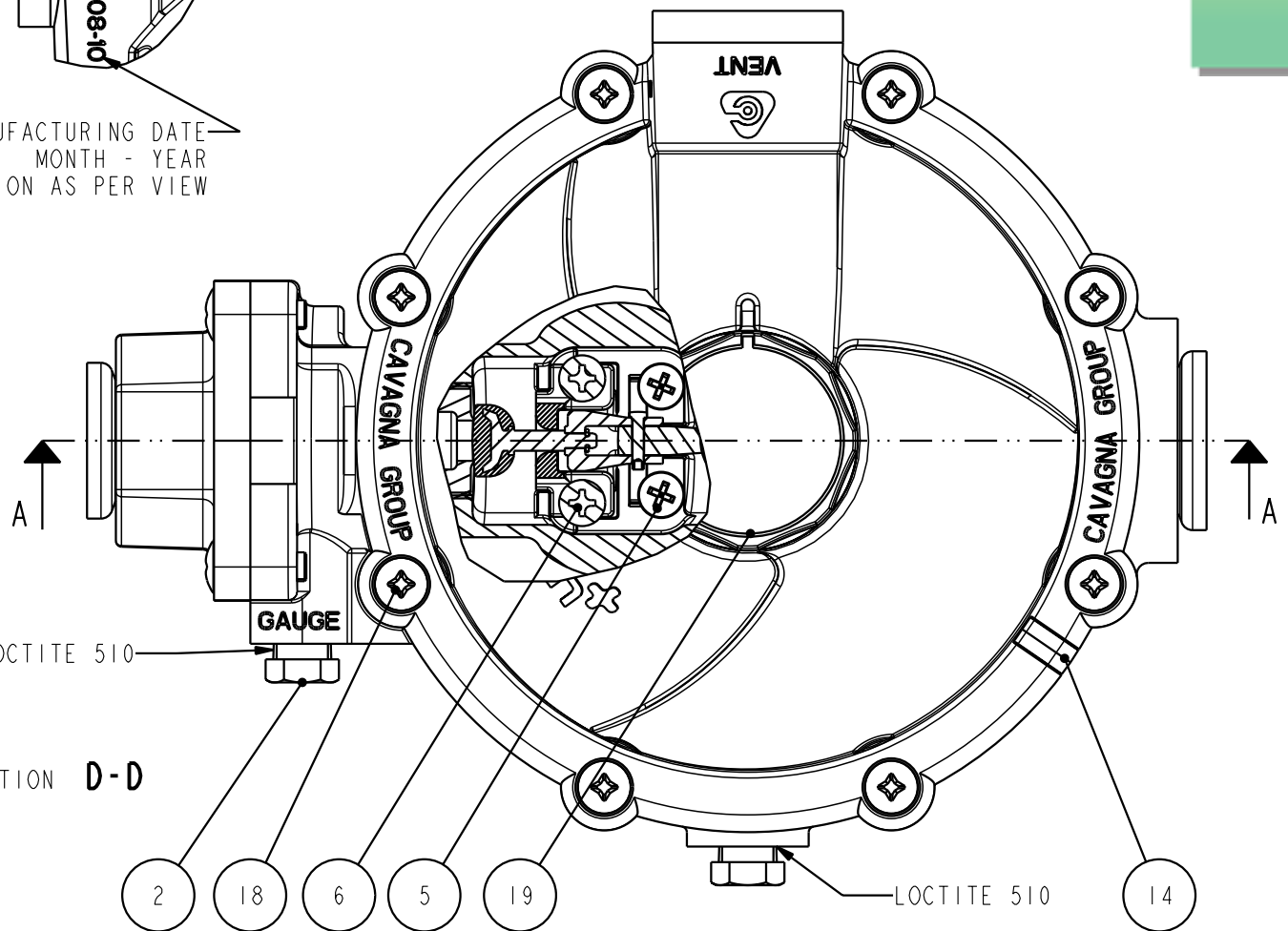
NO	NO PRODUCT	DENOMINATION	Q.TY
1	00-1-950-0128	S/A PAINTED BODY GREY RAL 7037	1
2	19-1-110-0502	PLUG 1/8" - 27 NPT	2
3	02-1-950-0035	LEVER ARM LP	1
4	05-1-110-0043	LEVER PIN LPGAS EQUIPMENT USA	1
5	14-4-110-0008	SCREW - PAN POZI SELF TAPPING M4 X 8	2
6	14-1-110-0003	SCREW-SELF-TAPPING-POZI-M4 X 10	2
7	03-1-950-0081	S/I ORIFICE - M20 - Ø7	1
8	15-1-110-0106	WASHER	1
9	09-1-950-0175	DIAPHRAGM ASSEMBLY- (REG TYPE 99 WITH SMALL RELIEF VALVE)	1
10	01-1-950-0044	S/A COVER FOR REGULATOR TYPE 99	1
11	08-1-110-0060	SPRING ADJUSTER M33x2	1
12	07-1-110-0493	SETTING SPRING 30-50 mbar	1
13	19-1-950-0072	S/A PLUG FOR LPG REGULATOR	1
14	21-1-110-0193	LOCK CLIP	1
15	17-1-110-0066	Ø28.5 FILTER 50 MESH STABILIZED	1
16	04-1-110-0583	O RING Ø44.45 x 3.53	1
17	20-1-950-0113	S/A PAINTED FLANGE RPI1/2" (GREY RAL 7037)	1
18	14-1-110-0049	SCREWS M5 - L=16mm	12
19	18-1-110-2876	NAMEPLATE FOR REGULATOR TYPE 998	1
20	19-1-110-2083	THREAD PROTECTOR FOR 1/2"NPT	1
21	19-1-110-2086	THREAD PROTECTOR FOR 3/4"NPT	1
22	34-1-110-1237	INSTRUCTION FOR TYPE 994-3 / 998-3	1
23	23-1-210-0403	SINGLE-BOX FOR RESIDENTIAL REGULATOR	1
24	34-1-210-2115	LABEL FOR ADJUSTABLE LP REGULATOR 998	1
25	23-1-510-0051	STANDARD BOX (R76)	1



EXAMPLE VENT VIEW



MANUFACTURING DATE
MONTH - YEAR
ORIENTATION AS PER VIEW



	DENOMINATION					LPG 30-50 mbar 15-25 kg/h	
	SECOND STAGE REGULATOR TYPE 998 WITH SAFETY						
RECA	MODEL	ORIFICE	INLET		OUTLET	SHARED	PROD. INT. GROUP
	998	7	Rp 1/2 ISO7		Rp 3/4" FEMALE	N.A.	-
PERFORMANCE DOC.	COUNTRY	COUNTRY SPECIFIC	WEIGHT	SCALE	MODIFY FILE	PRODUCT NO	
N.A.	N.A.	EN16129	1.009	4:5	DM05922	99-1-890-0043	
PROD. EVOLUTION	PROJECT NO	RELEASE LEVEL	DRAWN BY	VERIFIED BY	APPROVED BY	DATE	REV
DEFINITIVE	DS04657	APPROVED+	CIGOLINI W.	TOMASELLI L.	SCHLICK B.	15/09/17	2