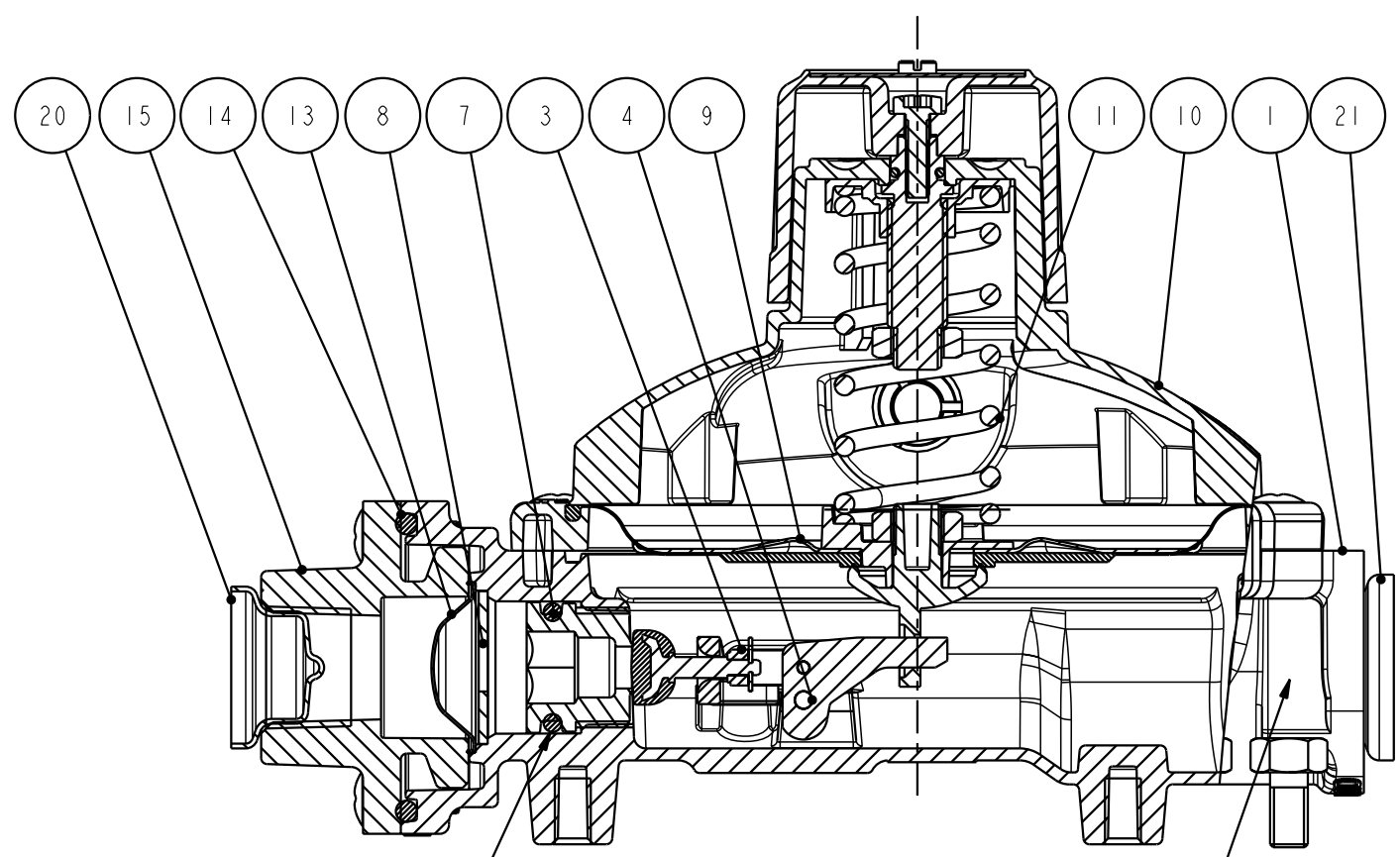


This drawing may not be copied or distributed in any way without the written permission of Cavagna Group Div. RE.CA. Via Matteotti, 5 - Calvisano - BS - Italy



NAMEPLATE

SINGLE BOX LABEL

992

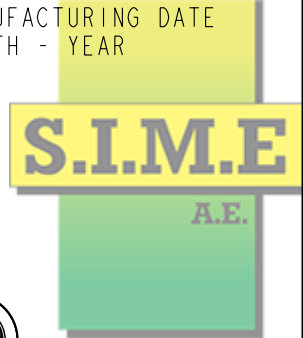
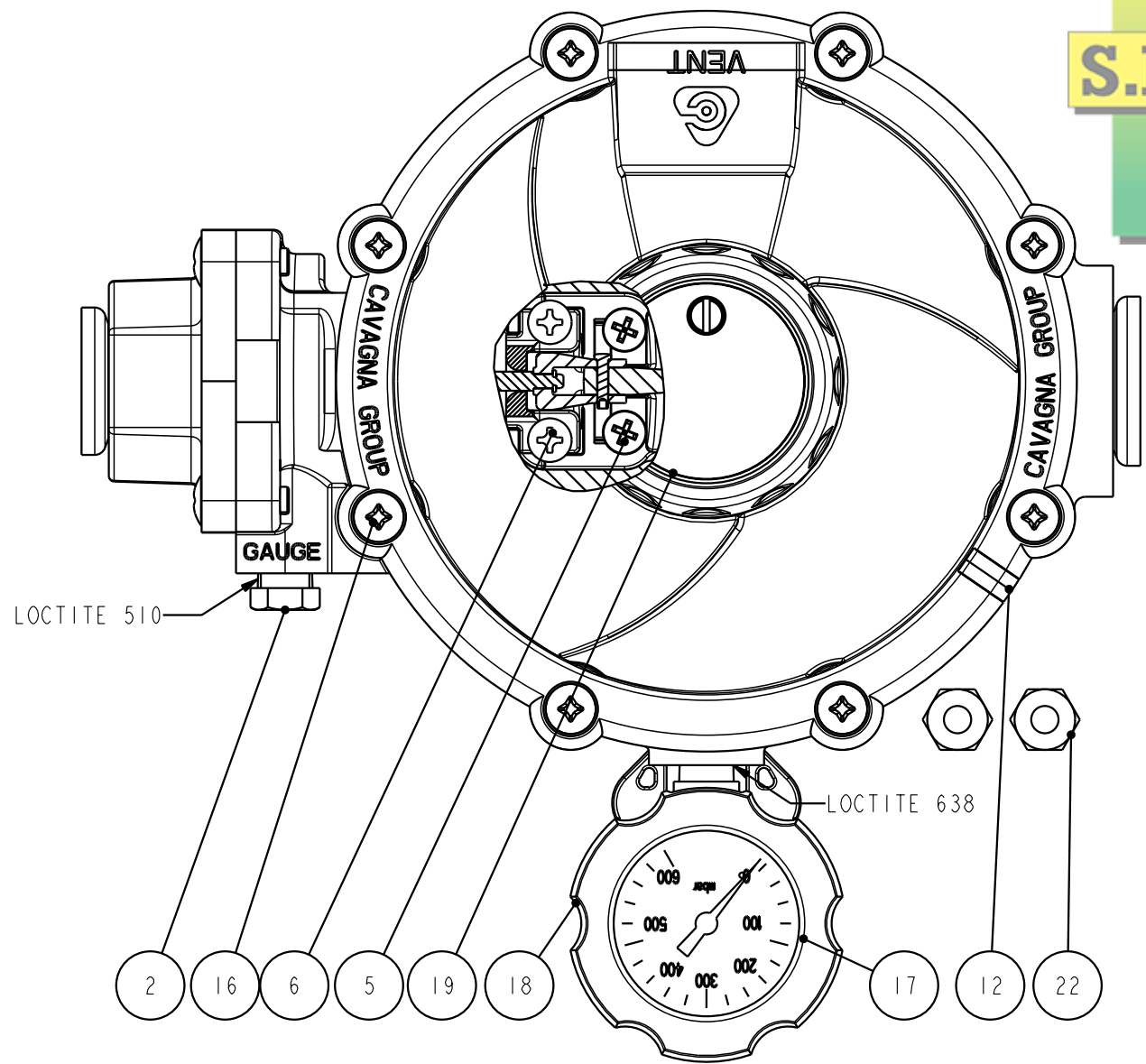
Second stage regulator
PROPANE
 40-300 mbar 8-35 kg/h
INLET: Rp 1/2" FEMALE
OUTLET: Rp 3/4" FEMALE

FOR INDUSTRIAL USE ONLY

Type 992
PROPANE - EN16129
CE-0085CQ0210

M₂ 8-35 kg/h
 G_{1.4} / H_{1.7}

P₁ 1.02-3.9 bar
 P₂ 40-300 mbar



NO	NO PRODUCT	DENOMINATION	Q.TY
1	00-1-950-0128	S/A PAINTED BODY GREY RAL 7037	1
2	19-1-110-0502	PLUG 1/8" - 27 NPT	1
3	02-1-950-0035	LEVER ARM LP	1
4	05-1-110-0043	LEVER PIN LPGAS EQUIPMENT USA	1
5	14-4-110-0008	SCREW - PAN POZI SELF TAPPING M4 X 8	2
6	14-1-110-0003	SCREW-SELF-TAPPING-POZI-M4 X 10	2
7	03-1-950-0081	S/I ORIFICE - M20 - Ø7	1
8	15-1-110-0106	WASHER	1
9	09-1-950-0148	DIAPHRAGM ASSEMBLY- (REG TYPE 99)	1
10	01-1-950-0072	S/A COVER FOR ADJUSTABLE REGULATOR TYPE 99	1
11	07-1-110-0422	SPRING FOR ADJUSTABLE REGULATOR (0-300 mbar)	1
12	21-1-110-0193	LOCK CLIP	1
13	17-1-110-0066	Ø28.5 FILTER 50 MESH STABILIZED	1
14	04-1-110-0583	O RING Ø44.45 x 3.53	1
15	20-1-950-0113	S/A PAINTED FLANGE RPI1/2" (GREY RAL 7037)	1
16	14-1-110-0049	SCREWS M5 - L=16mm	12
17	50-1-110-0005	MANOMETER 0-600 mbar (74/76 REG)	1
18	19-1-110-2070	PROTECTION CAP FOR MANOMETER	1
19	18-1-110-2889	NAMEPLATE FOR ADJUSTABLE REGULATOR	1
20	19-1-110-2083	THREAD PROTECTOR FOR 1/2"NPT	1
21	19-1-110-2086	THREAD PROTECTOR FOR 3/4"NPT	1
22	14-1-950-0008	S/A SCREW IN BAG	1
23	34-1-110-1238	INSTRUCTION FOR TYPE 992 (EN-FR-PT-ES-GR-IT)	1
24	23-1-210-0403	SINGLE-BOX FOR RESIDENTIAL REGULATOR	1
25	34-1-210-1877	LABEL FOR ADJUSTABLE LP REGULATOR 992	1
26	23-1-510-0051	STANDARD BOX (R76)	1

	DENOMINATION		ADJUSTABLE SECOND STAGE REGULATOR				PROPANE 40-300 mbar 8-35 kg/h				
	RECA		MODEL		N.A.		N.A.				
PERFORMANCE DOC.		ORIFICE		INLET		OUTLET		SHARED		PROD. INT. GROUP	
N.A.		7		Rp 1/2 ISO7		Rp 3/4" FEMALE		N.A.		-	
PROJECT NO		COUNTRY SPECIFIC		WEIGHT		SCALE		MODIFY FILE		PRODUCT NO	
A104		EN16129		N.A.		4:5		DM05922		99-1-290-0002	
PROJ. EVOLUTION		RELEASE LEVEL		DRAWN BY		VERIFIED BY		APPROVED BY		DATE	
DEFINITIVE		APPROVED+		CIGOLINI W.		TOMASELLI L.		SCHLICKE B.		13/09/17	