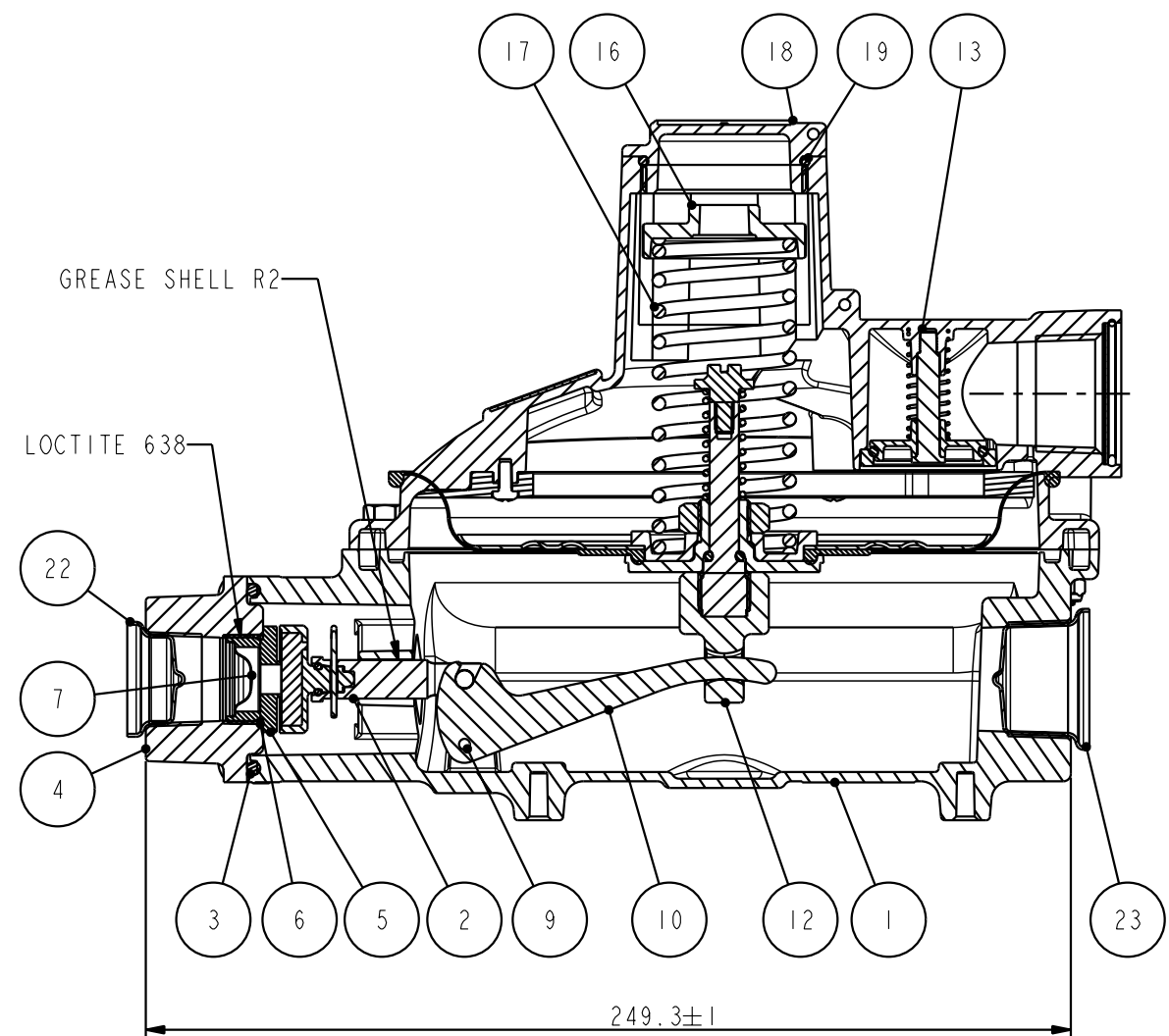


This drawing may not be copied or distributed in any way without the written permission of Cavagna Group Div. RE.CA. Via Matteotti, 5 - Calvisano - BS - Italy



SINGLE BOX LABEL

RECA

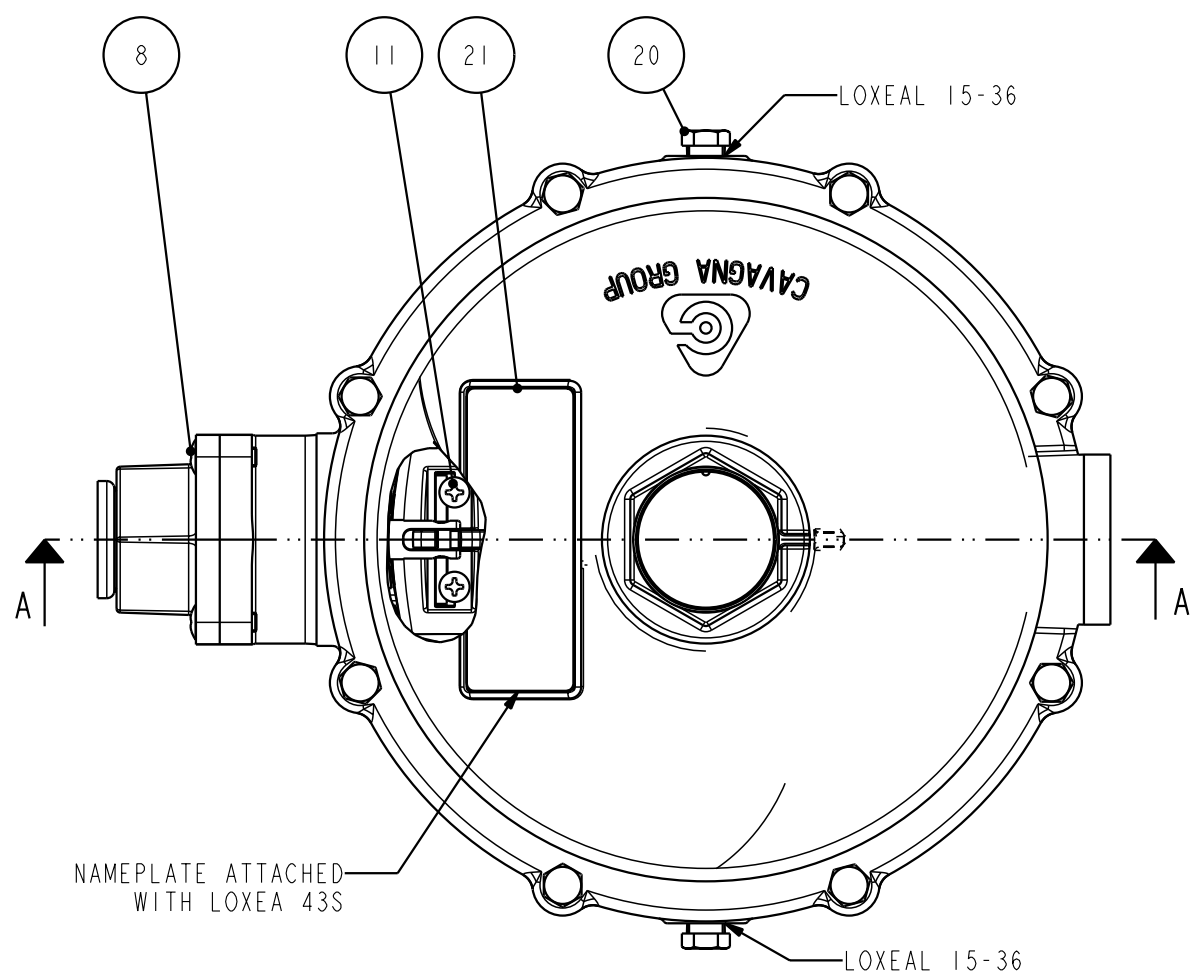
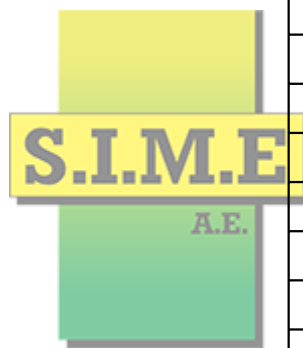
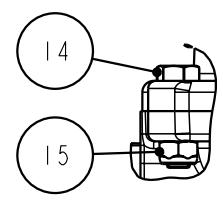
**L.P. REGULATOR**  
**TYPE 468-3 L.P.G.**  
**30-70 mbar 40-60 Kg/h**  
**INLET: Rp 3/4 ISO7**  
**OUTLET: Rp 1 ISO7**

Date gg/mm/aa Quantity 1

NAMEPLATE

|                |          |   |                 |           |     |
|----------------|----------|---|-----------------|-----------|-----|
| TYPE           | 468-3    | PRV   | 55-100          | mbar      |     |
| P <sub>d</sub> | 30-70    | mbar  | P <sub>in</sub> | 0.45-1.95 | bar |
| FLOW           | 40-60    | kg/h  | DATE            | XX-XX     |     |
| GAS            | LPG      | NORM  | EN 16129        |           |     |
| IN/OUT         | G.14/H.7 | <b>cavagna group</b> <span style="float: right;">MADE IN ITALY</span> |                 |           |     |

MONTH - YEAR



| NO | NO PRODUCT    | DENOMINATION                            | Q.TY |
|----|---------------|---|------|
| 1  | 00-1-950-0138 | S/A PAINTED BODY GREY RAL 7037          | 1    |
| 2  | 03-1-950-0099 | S/A PIN FOR LP REGULATOR                | 1    |
| 3  | 04-1-110-0583 | O RING Ø44.45 x 3.53                    | 1    |
| 4  | 20-1-950-0135 | S/A PAINTED FLANGE (GREY RAL 7037)      | 1    |
| 5  | 16-1-150-0018 | ORIFICE FOR LP REGULATOR - Ø8 MACHINED  | 1    |
| 6  | 04-1-110-0094 | O RING Ø21 x 1.5                        | 1    |
| 7  | 17-1-110-0097 | FILTER FOR SECOND STAGE REGULATOR       | 1    |
| 8  | 14-1-110-0049 | SCREWS M5 - L=16mm                      | 4    |
| 9  | 05-1-110-0042 | LEVER PIN LPGAS EQUIPMENT USA           | 1    |
| 10 | 02-1-110-0065 | LEVER FOR LP REGULATOR                  | 1    |
| 11 | 14-1-110-0003 | SCREW-SELF-TAPPING-POZI-M4 X 10         | 2    |
| 12 | 09-1-950-0160 | S/A DIAPHRAGM WITH LIMITED RELIEF VALVE | 1    |
| 13 | 01-1-950-0109 | S/A COVER FOR REGULATOR TYPE 46         | 1    |
| 14 | 14-1-110-0072 | SCREW M6 - L=23mm                       | 8    |
| 15 | 10-1-110-1027 | NUT HEXAGONAL M6 AUTOBLOCKING           | 8    |
| 16 | 08-1-110-0072 | SPRING ADJUSTER M45x2                   | 1    |
| 17 | 07-1-110-0591 | SETTING SPRING 30-70 mbar TYPE 46       | 1    |
| 18 | 19-1-110-0028 | COVER PLUG - M45 x 2 ADJUSTABLE         | 1    |
| 19 | 04-1-110-0092 | O-RING Ø40.84 X 2.62                    | 1    |
| 20 | 19-1-110-0502 | PLUG 1/8" - 27 NPT                      | 2    |
| 21 | 18-1-021-0002 | NAMEPLATE FOR TYPE 46                   | 1    |
| 22 | 19-1-110-2086 | THREAD PROTECTOR FOR 3/4"NPT            | 1    |
| 23 | 19-1-110-2087 | THREAD PROTECTOR FOR 1"NPT              | 1    |
| 24 | 34-1-110-0875 | INSTRUCTION FOR TYPE 464 AND 468 (PL)   | 1    |
| 25 | 23-1-210-0653 | SINGLE BOX FOR TYPE 46                  | 1    |
| 26 | 34-1-210-2187 | SINGLE BOX LABEL FOR TYPE 468-3         | 1    |

|                               |                       |                              |                          |                             |                           |                  |                 |                       |
|-------------------------------|-----------------------|------------------------------|--------------------------|-----------------------------|---------------------------|------------------|-----------------|-----------------------|
|                               | <b>DENOMINATION</b>   |                              | L.P. REGULATOR SERIES 46 |                             | LPG                       | 30-70 mbar       | 60 kg/h         |                       |
|                               | WITH SAFETY           |                              |                          |                             |                           |                  |                 |                       |
| RECA                          | MODEL<br>468          | ORIFICE<br>8                 | INLET<br>Rp 3/4 ISO7     |                             | OUTLET<br>Rp 1 ISO7       |                  | SHARED<br>N.A.  | PROD. INT. GROUP<br>- |
| PERFORMANCE DOC.<br>N.A.      | COUNTRY<br>POLONIA    | COUNTRY SPECIFIC<br>EN 16129 | WEIGHT<br>N.A.           | SCALE<br>1:2                | MODIFY FILE<br>DM05212    | PRODUCT NO       |                 | REV                   |
| PROD. EVOLUTION<br>DEFINITIVE | PROJECT NO<br>DS04742 | RELEASE LEVEL<br>APPROVED+   | DRAWN BY<br>RUSSO R.     | VERIFIED BY<br>TOMASELLI L. | APPROVED BY<br>SCHLICK B. | DATE<br>03/03/15 | 46-1-890-0004 7 |                       |