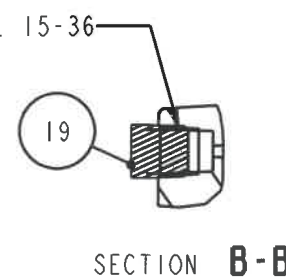
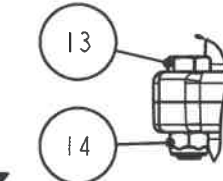
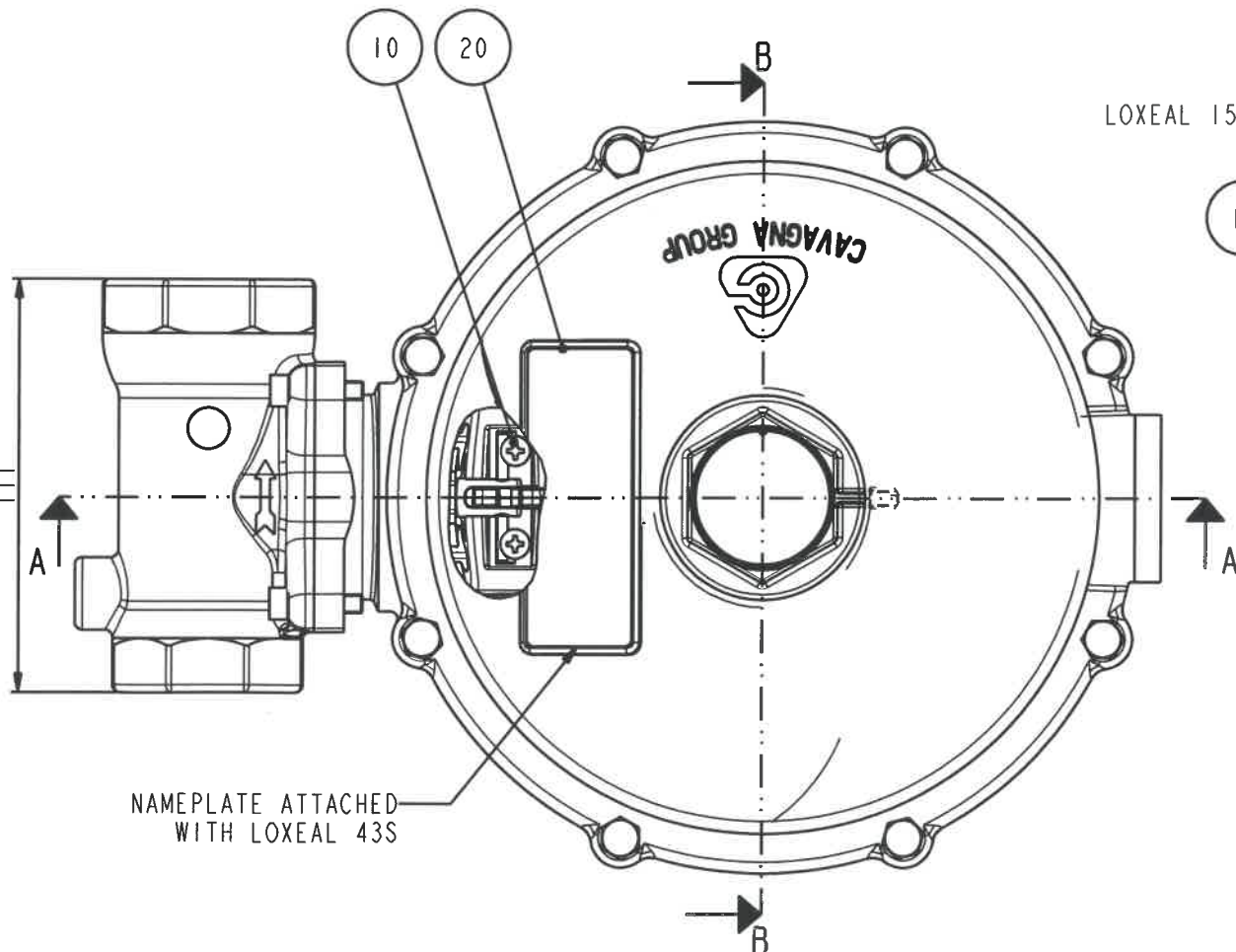
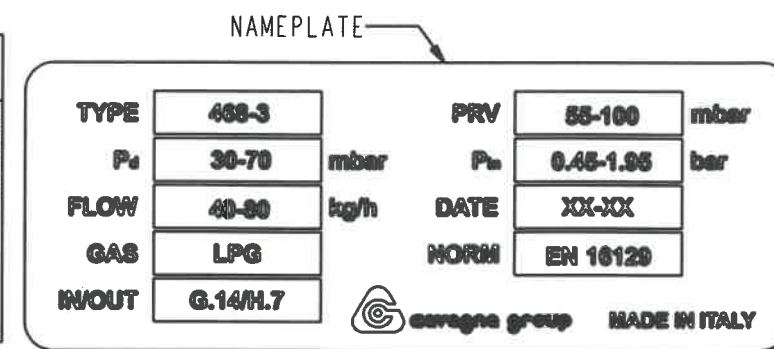
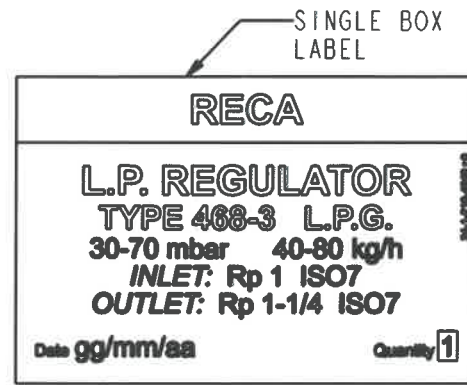
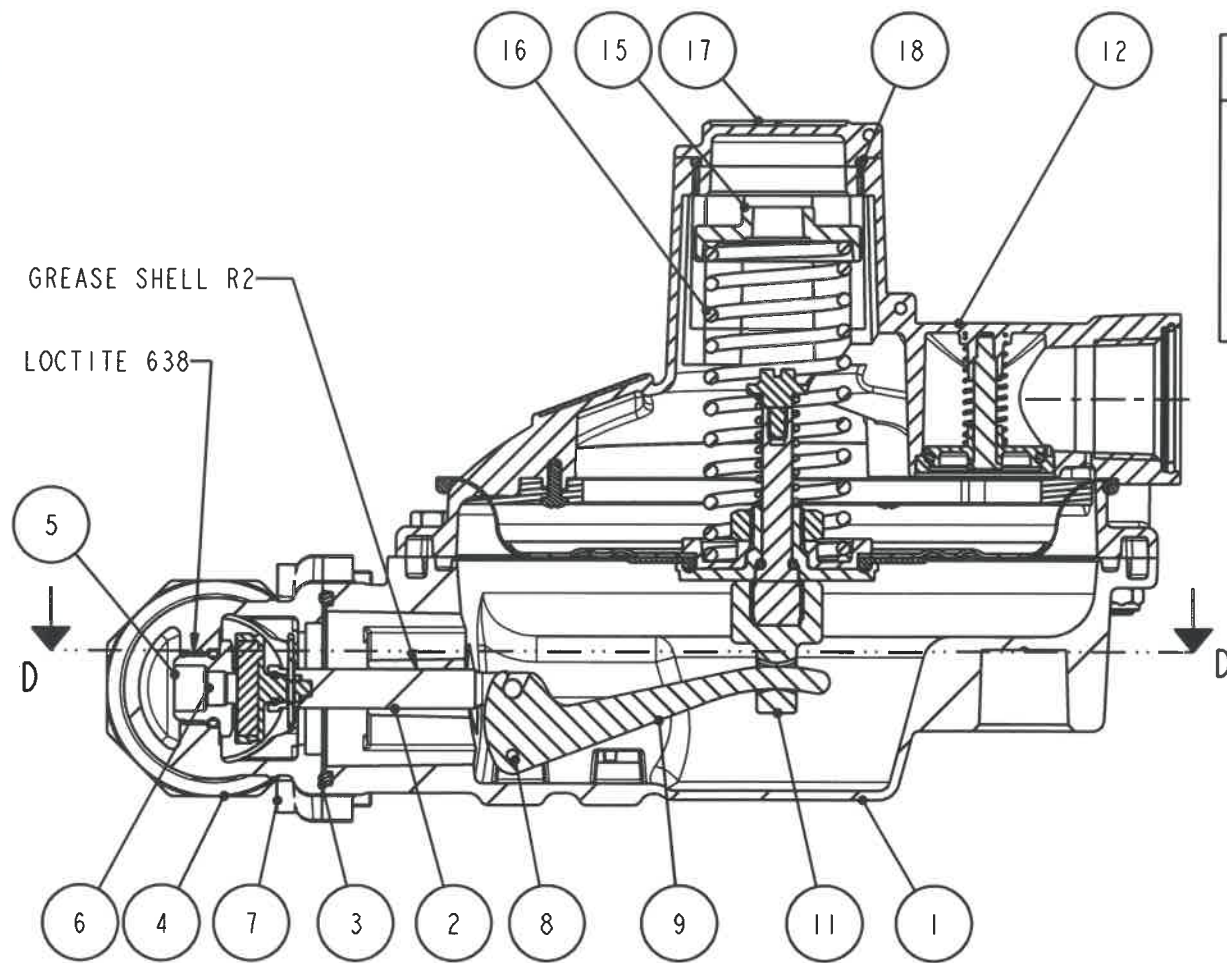


This drawing may not be copied or distributed in any way without the written permission of Cavagna Group Div. RE.CA. Via Matteotti, 5 - Calvisano - BS - Italy



NO	NO PRODUCT	DENOMINATION	Q.TY
1	00-1-950-0135	S/A PAINTED BODY GREY RAL 7037	1
2	03-1-950-0102	S/A PIN FOR LP REGULATOR	1
3	04-1-110-0583	O RING Ø44.45 x 3.53	1
4	00-1-950-0140	S/A PAINTED MANIFOLD GREY RAL 7037	1
5	16-1-150-0033	ORIFICE Ø8 - 3/4"-16 UNF TYPE 46 (MACHINED)	1
6	04-4-110-0030	O RING Ø15.6 X 2.4 THK (I200P)	1
7	14-1-110-0085	SCREW M5 - L=20 mm	4
8	05-1-110-0042	LEVER PIN LPGAS EQUIPMENT USA	1
9	02-1-110-0065	LEVER FOR LP REGULATOR	1
10	14-1-110-0003	SCREW-SELF-TAPPING-POZI-M4 X 10	2
11	09-1-950-0160	S/A DIAPHRAGM WITH LIMITED RILIEF VALVE	1
12	01-1-950-0109	S/A COVER FOR REGULATOR TYPE 46	1
13	14-1-110-0072	SCREW M6 - L=20mm	8
14	10-1-110-1027	NUT HEXAGONAL M6 AUTOBLOCKING	8
15	08-1-110-0072	SPRING ADJUSTER M45x2	1
16	07-1-110-0591	SETTING SPRING 30-70 mbar TYPE 46	1
17	19-1-110-0028	COVER PLUG - M45 x 2 ADJUSTABLE	1
18	04-1-110-0092	O-RING Ø40.84 X 2.62	1
19	19-1-110-0504	TAPPO 1/4 NPT	1
20	18-1-021-0011	NAMEPLATE FOR TYPE 46	1
21	34-1-110-0875	INSTRUCTION FOR TYPE 464 AND 468	1
22	23-1-210-0653	SINGLE BOX FOR TYPE 46	1
23	34-1-210-4649	SINGLE BOX LABEL FOR TYPE 462	1

	<b>DENOMINATION</b>		<b>L.P. REGULATOR SERIES 46</b>		<b>LPG 30-70 mbar 80 kg/h</b>	
	<b>WITH SAFETY</b>					
<b>RECA</b>	<b>MODEL</b> 468	<b>ORIFICE</b> 8	<b>INLET</b> Rp 1 ISO7	<b>OUTLET</b> Rp 1-1/4 ISO7	<b>SHARED</b> N.A.	<b>PROD. INT GROUP</b> -
<b>PERFORMANCE DOC.</b> N.A.	<b>COUNTRY</b> ITALIA-GRECIA	<b>COUNTRY SPECIFIC</b> EN 16129	<b>WEIGHT</b> N.A.	<b>SCALE</b> 1:2	<b>MODIFY FILE</b> N.A.	<b>PRODUCT NO</b> 46-1-890-0032
<b>PROD. EVOLUTION</b> DEFINITIVE	<b>PROJECT NO</b> DS06722	<b>RELEASE LEVEL</b> STUDY WIP	<b>DRAWN BY</b> SINGH I.	<b>VERIFIED BY</b> TOMASELLI L.	<b>APPROVED BY</b> SCHLICK B.	<b>DATE</b> 18/03/19
						<b>0</b>