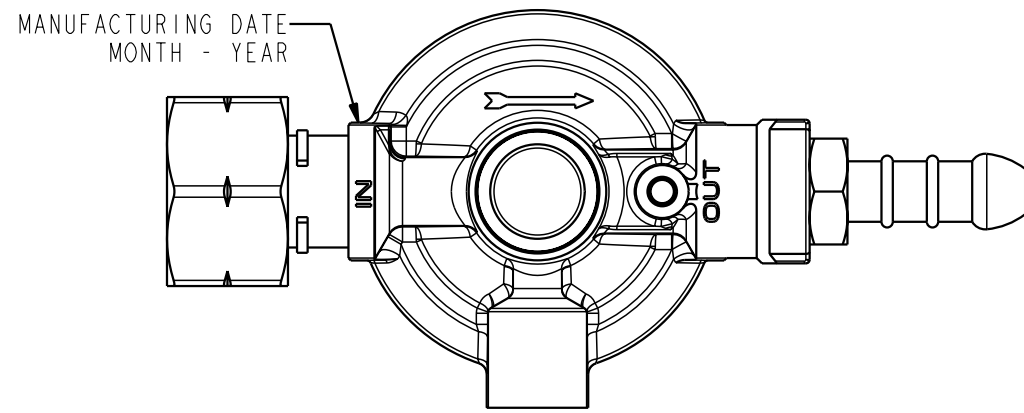
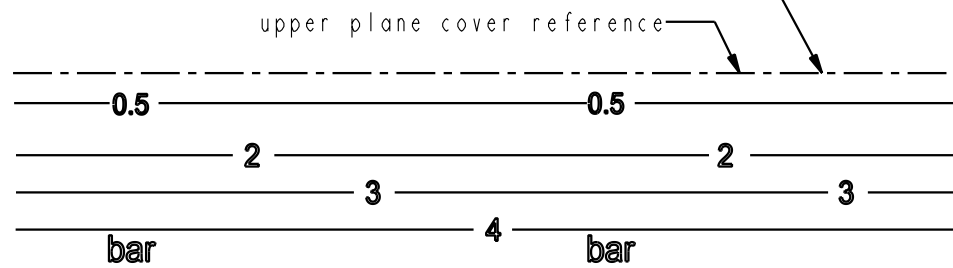


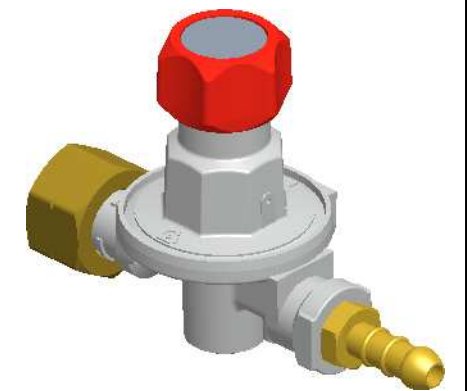
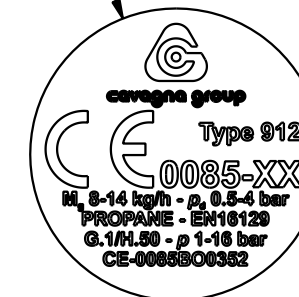
This drawing may not be copied or distributed in any way without the written permission of Cavagna Group Div. RE.CA. Via Matteotti, 5 - Calvisano - BS - Italy



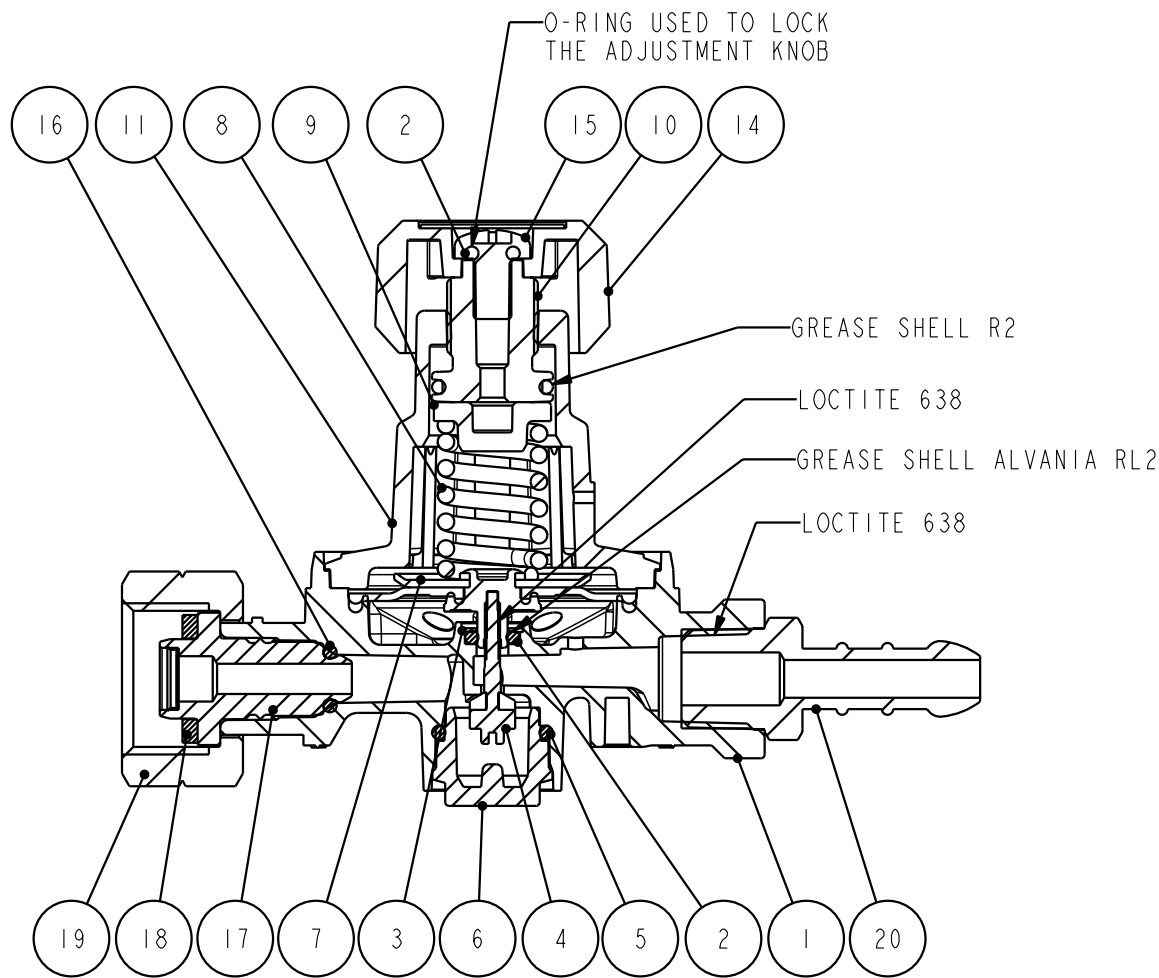
INK STAMP DETAIL (REF. 18-1-310-0052)



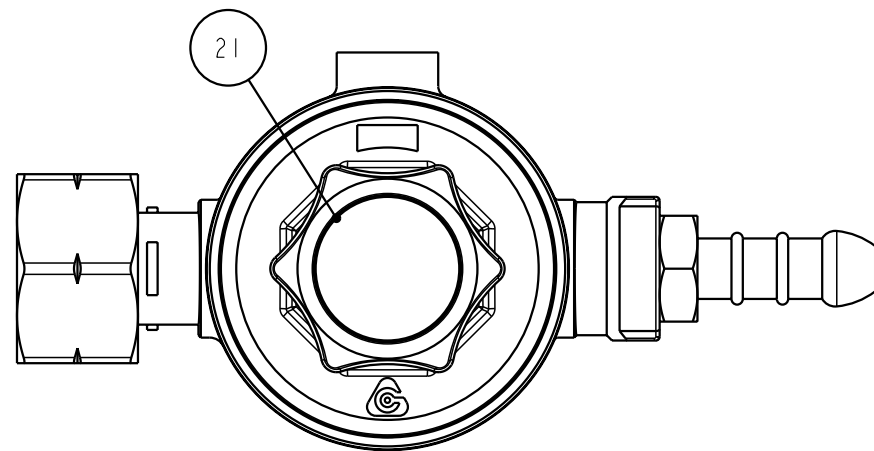
NAMEPLATE



CE DECLARATION OF CONFORMITY TO BE ADDED AT EVERY SHIPMENT.
DICHIARAZIONE CE DI CONFORMITÀ DA AGGIUNGERE AD OGNI SPEDIZIONE.



NO	NO PRODUCT	DENOMINATION	Q.TY
1	00-1-150-0373	MACHINED BODY FOR TYPE 91 BROACHED - G 1/4 F	1
2	04-1-110-0529	O RING	2
3	15-1-110-0028	RONDELLA	1
4	03-1-950-0045	S/I PISTONCINO (MOD. 91)	1
5	04-1-110-0523	O RING	1
6	16-1-110-0307	TAPPO MOD. 91	1
7	09-1-950-0167	S/A DIAPHRAGM FOR TYPE 91	1
8	07-1-110-0245	MOLLA TARATURA MOD. 912 0.5÷4 bar	1
9	08-1-110-0046	PREMIMOLLA	1
10	14-1-950-0004	S/I VITE PREMIMOLLA	1
11	01-1-150-0257	MACHIEND COVER FOR ADJUSTABLE 91	1
12	24-1-110-0001	WHITE ALUMINIUM RAL 9006	1
13	18-1-310-0052	TIMBRATURA DA ESEGUIRE SUL COPERCHIO TIPO 915	1
14	13-1-110-0069	NOTTOLINO DI REGOLAZIONE	1
15	14-1-110-0034	SCREW-M5 X 8 AUTOFORMANTE SEZIONE TRILOBATA	1
16	04-1-110-0502	O RING	1
17	16-1-950-0092	S/I RACCORDO BROCCIATO	1
18	04-1-110-0007	SEALING WASHER	1
19	10-1-110-0005	UNION NUT - W20x1/14" (G.1)	1
20	16-1-110-0216	HOSE NOZZLE Ø10	1
21	18-1-110-2503	NAMEPLATE ADHESIVE FOR TYPE 912	1
22	34-1-110-1220	INSTRUCTION TYPE 912 - EN16129 (EN-IT-GR)	1
23	23-1-210-0080	STANDARD SINGLE BOX	1
24	34-1-210-2927	SINGLE BOX LABEL FOR TYPE 912	1
25	23-1-510-0002	STANDARD BOX (R34)	1



SONGLE BOX LABEL

**INDUSTRIAL H.P.
ADJUSTABLE REGULATOR
TYPE 912 - PROPANE
0.5-4 bar - 8-14 kg/h
INLET: W20x1/14" L.H.
OUTLET: Hose nozzle Ø10**

	DENOMINATION		INDUSTRIAL H.P. ADJUSTABLE REGULATOR				PROPANE 0.5-4 bar 8-14 kg/h	
	RECA		MODEL	ORIFICE	INLET	OUTLET	SHARED	PROD. INT GROUP
PERFORMANCE DOC.	COUNTRY	COUNTRY SPECIFIC	WEIGHT	SCALE	MODIFY FILE	PRODUCT NO		
926	GRECIA	EN16129	-	1:1	DM06071	91-1-590-1001		
PROG. EVOLUTION	PROJECT NO	RELEASE LEVEL	DRAWN BY	VERIFIED BY	APPROVED BY	DATE	REV	
DEFINITIVE	A108	APPROVED+	SCARPELLA A.	TOMASELLI L.	SCHLICK B.	13/03/18	5	