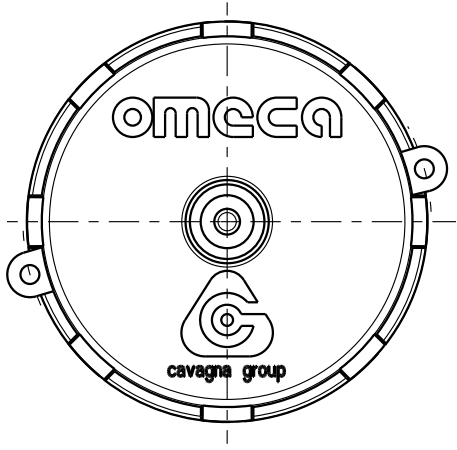
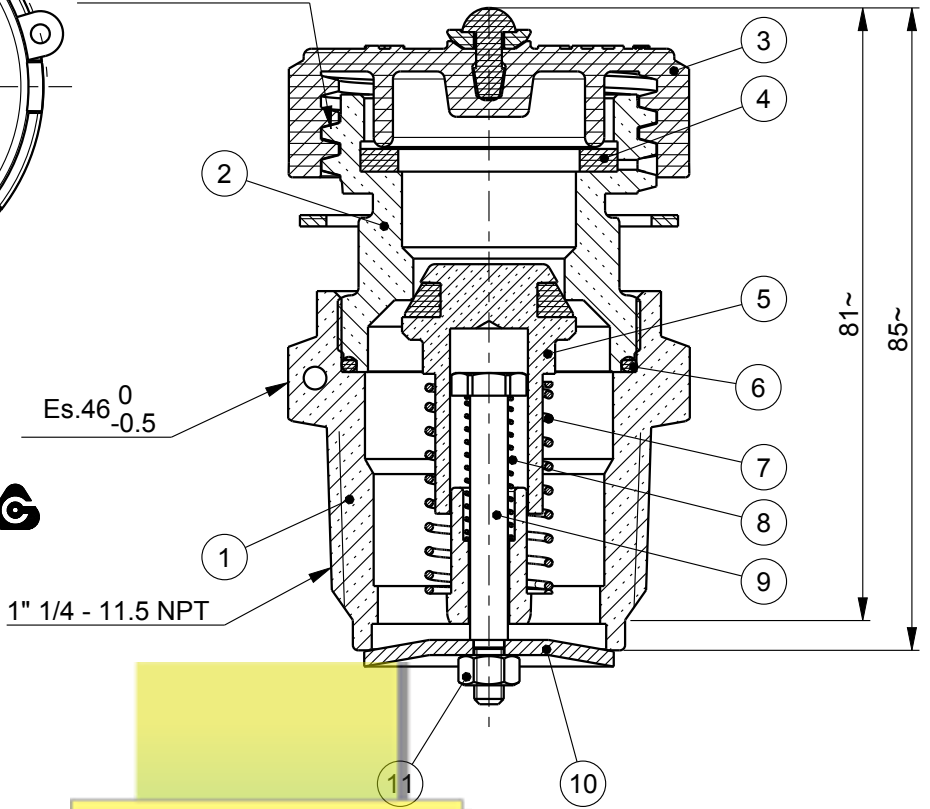


Cavagna Group S.p.A. - Confidential Property. The reproduction of all or any part of this drawing and the communication to a third party of this project is forbidden. The use of any plan, drawing or calculation which relate to it can be allowed only with the written permission of Cavagna Group S.p.A.



1" 3/4-6 ACME 2G



Markings :

- CAVAGNA GROUP Symbol
- OMECA
- Month (1,2,...,9,O,N,D) and two last figures of year of construction
- VRN 20
- 2.5 MPa
- PROP - BUT
- -40°C
- (see 2001101737)



11	Nut	1	3001100145
10	Clapet	1	1501100538
9	Stem	1	1301100057
8	Spring.	1	0701100128
7	Spring	1	0701100104
6	Toroidal ring	1	0401100189
5	Assembled piston	1	0309500178
4	Gasket	1	0401102565
3	Assembled cap - Blue	1	1009500064
2	Machined body	1	0101504401
1	Machined body	1	0101504171
POS	DENOMINATION	Q.ty	DRAW NR.

DESCRIPTION		Filler valve					
	GEN. TOLL. ±-	GEN. FILL. R-	ANG. TOLL. ±-	DRAFT -	SCALE 1:1	SHEET 1/1	
	RESPONS.	DRAWN	APPROVED	ISSUED	MATERIAL		
	DATE	27-09-24	27-09-24	27-09-24			
	SIGNATURE	Vettori	Modena	Treccani			
	ACTIVITY	NUMBER	27260	PROJECT	-	DRAW NUMBER	
		INDEX	A8	REFERENCE	-	6602901043	
	FORMAT A4	WEIGHT Kg.	-				

Special characteristics: Critical/Critico Major/Primario Minor/Secondario

changes id from previous index or