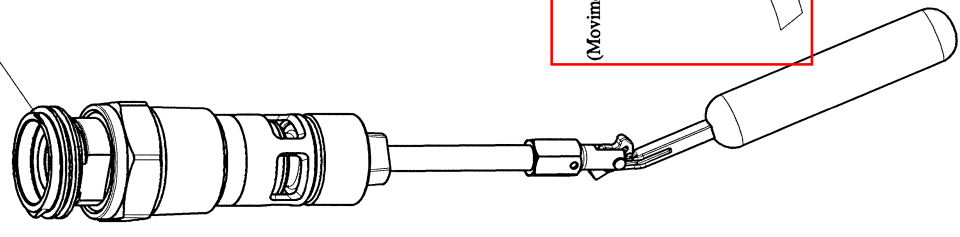
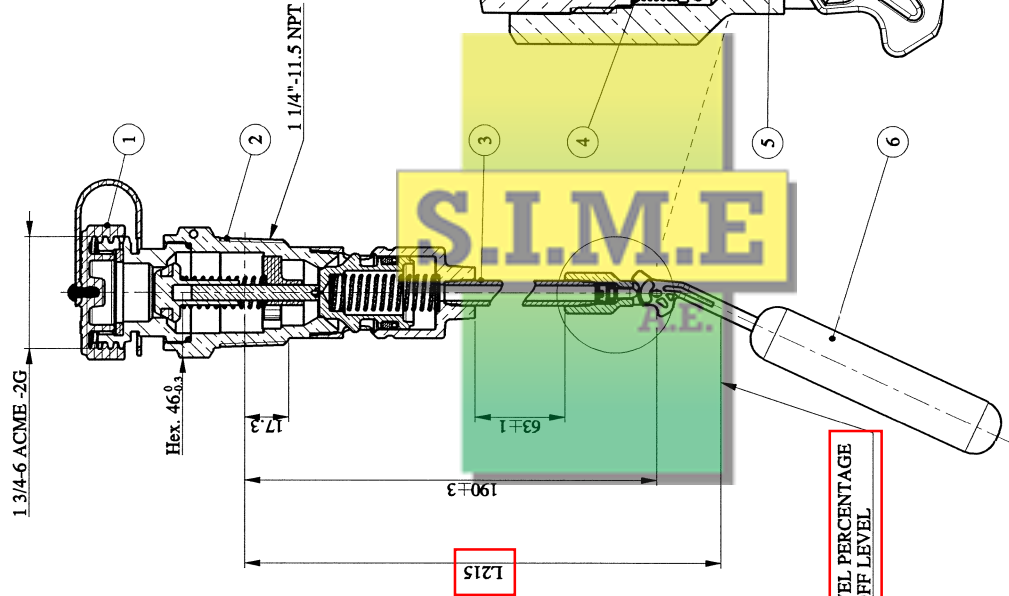




Notch
(Tacca di riferimento
in corrispondenza con
il movimento del galleggiante)

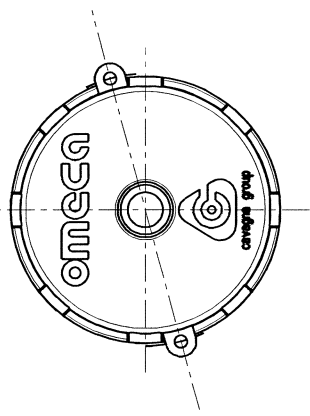


Float direction
(Movimento operativo del galleggiante)




LIQUID LEVEL PERCENTAGE
OPD SHUTOFF LEVEL

Marking:
- OMEGA 1257
- CAVAGNA GROUP symbol 
- VRN-S
- Month (1..9,0,N,D) and two last digits of year of production
- L215
- 25 bar
- Marking (notch) indicating the position of the float
- L215
-  (see 2001101737)



6	Assembled Float	1	1609500063
5	Assembled piston	1	0309501001
4	Spring	1	0701100208
3	Tube	1	1201100388
2	Assembled Body	1	0109500083
1	Assemble cap	1	1009500115
POSDENOMINATION		Q.	DRAW NR.

DESCRIPTION		Filler valve with OPD	
		GEN. TOLL. ±-	ANG. TOLL. ±-
		GEN. FILL. R -	DRAFT -
		SCALE 1:2	SHEET 1 / 1
		ISSUE	MATERIAL
		RESPONS. DRAWN	
		DATE 10-12-07	
		SIGNATURE Balzani	Treccani
		PROJECT 17784	05534
		REFERENCE Treccani	
		INDEX A4	XXXXX
		XXXXX	XXXXX
		DRAW NUMBER	6602901257