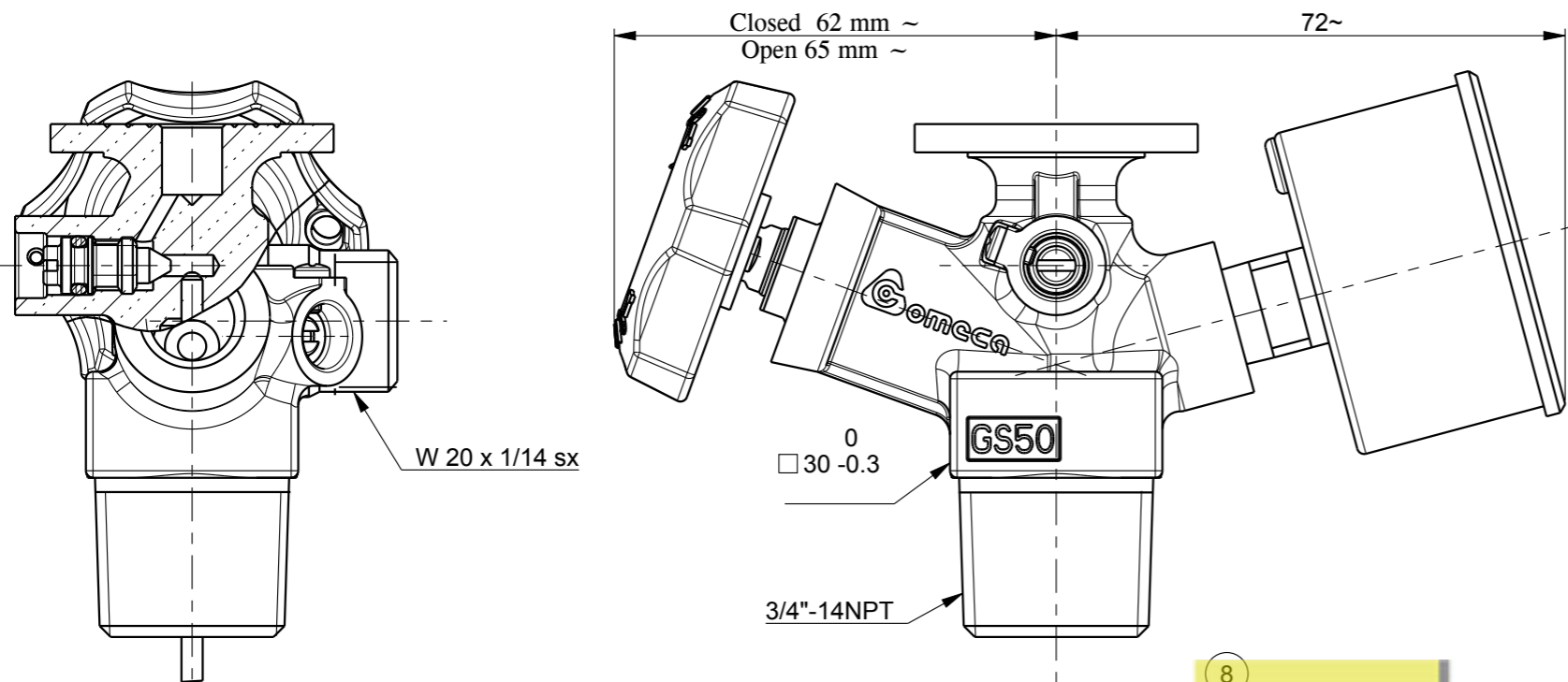
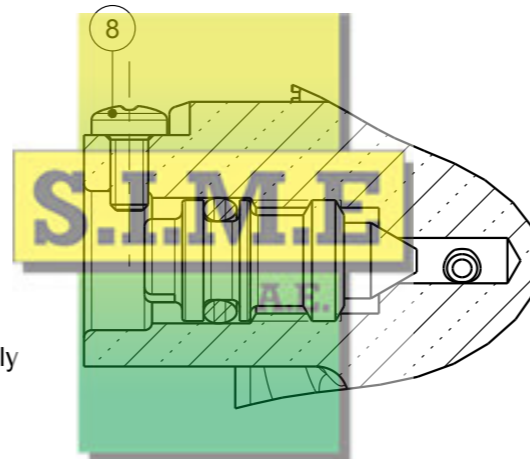
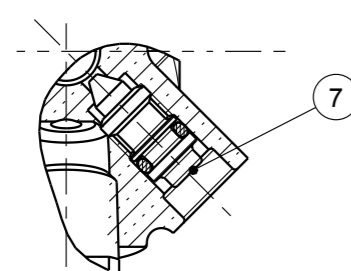
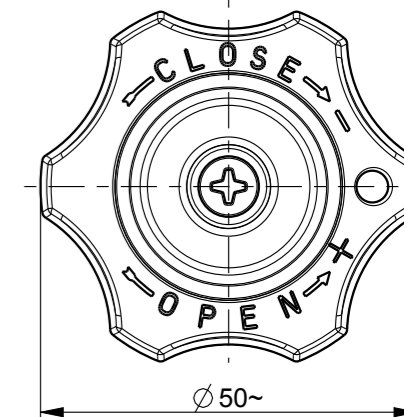


Cavagna Group S.p.A. - Confidential Property. The reproduction of all or any part of this drawing and the communication to a third party of this project is forbidden. The use of any plan, drawing or calculation which relate to it can be allowed only with the written permission of Cavagna Group S.p.A.

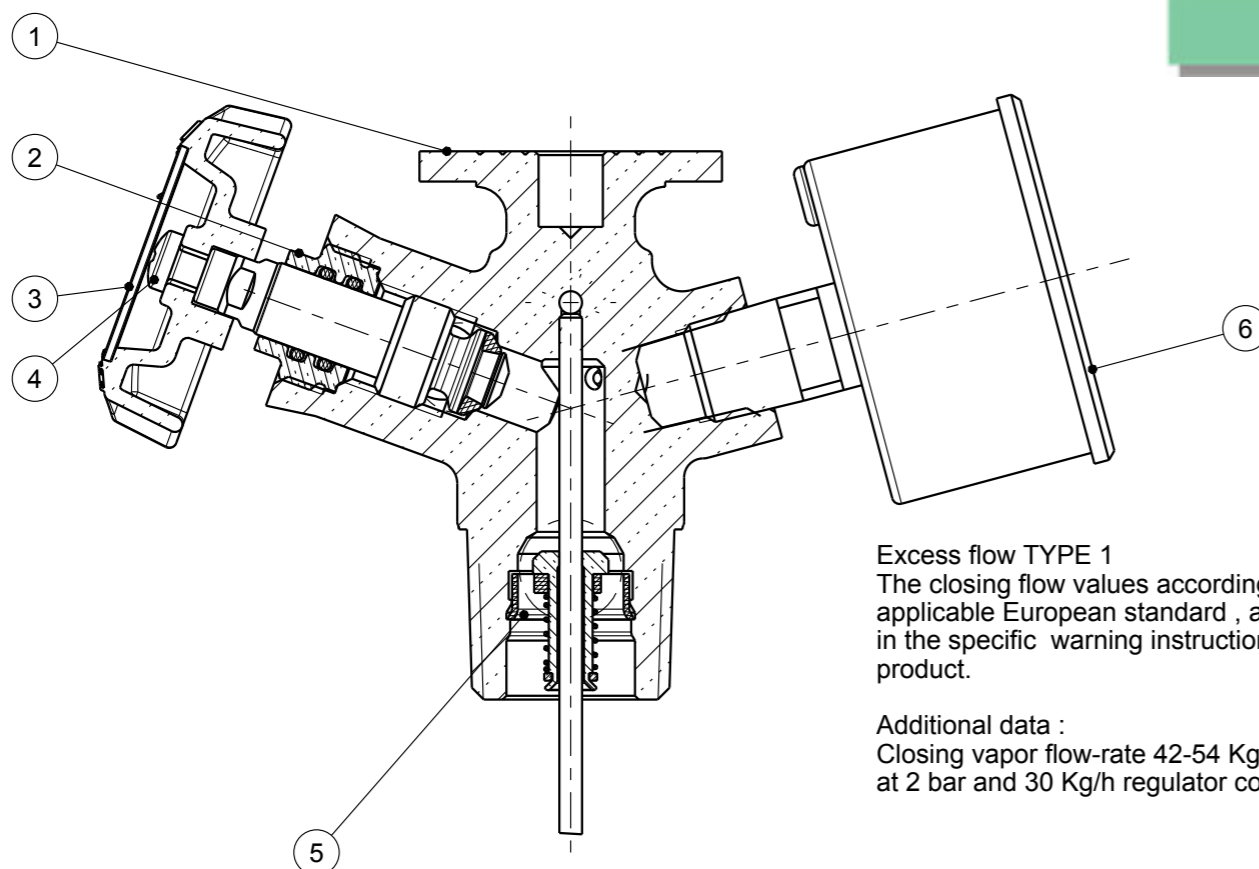


Markings:

- OMECA
- Simbolo Cavagna Group
- Two last figures of year and month (1...9 and O,N,D for lat three months) of construction.
- GS 50
- 25 bar
- 40°C



Dip tubes available, supplied separately



Excess flow TYPE 1
The closing flow values according to the applicable European standard, are indicated in the specific warning instruction for this product.

Additional data :
Closing vapor flow-rate 42-54 Kg/h propane at 2 bar and 30 Kg/h regulator connected.

REMOVED ITEM MARKING OR OTHER

8	Screw	2	1401101024
7	Assembled piston	2	0309500145
6	Manometer (UNI 837)	1	3001100179
5	Assembled excess flow	1	1109500011
4	Screw	1	1401101022
3	Handwheel blue RAL 5010/5017	1	0201100202
2	Assembled piston	1	0309500288
1	Body	1	0101500780
POS	DENOMINATION	Q.ty	DRAW NR.

	Service valve					
	GEN. TOLL. ±-		GEN. FILL. R -		ANG. TOLL. ±-	
	RESPONS.		DRAWN		APPROVED	
	DATE		06-06-22		06-06-22	
	SIGNATURE		Gussago		Modena	
	ACTIVITY		NUMBER		PROJECT	
	INDEX		A5		REFERENCE	
FORMAT A3		WEIGHT Kg.		-		
DRAW NUMBER			6704900775			

Special characteristics: Critical/Critico Major/Primario Minor/Secondario

changes id from previous index or