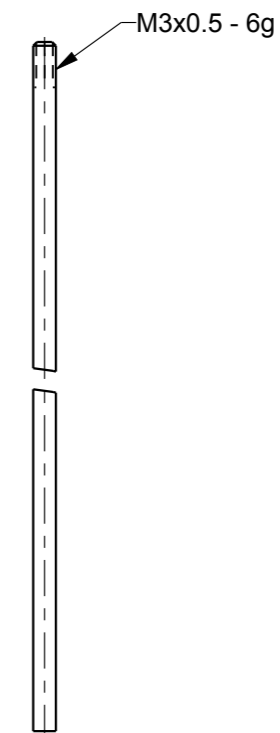
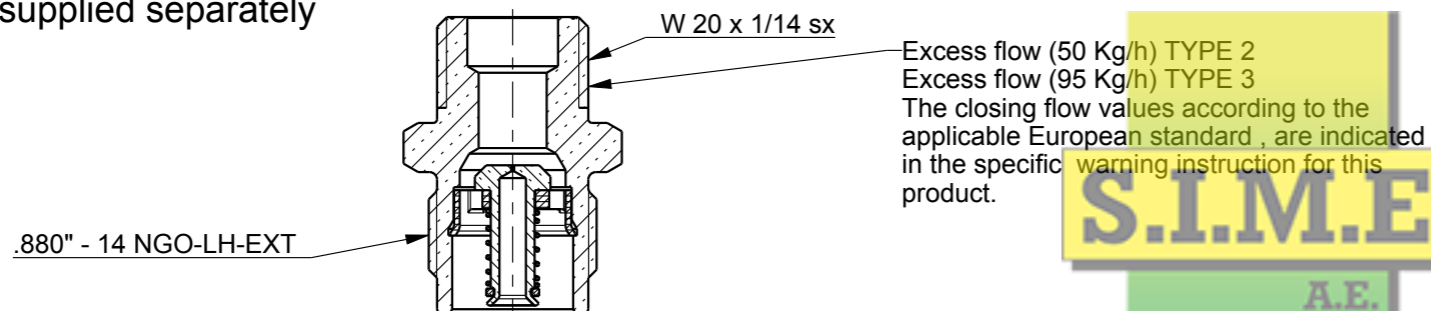


- Markings:
- OMECA
 - Simbolo Cavagna Group
 - Two last figures of year and month (1...9 and O,N,D for lat three months) of construction.
 - GSE 35
 - 25 bar
 - 40°C

Rev **REMOVED ITEM MARKING OR OTHER**

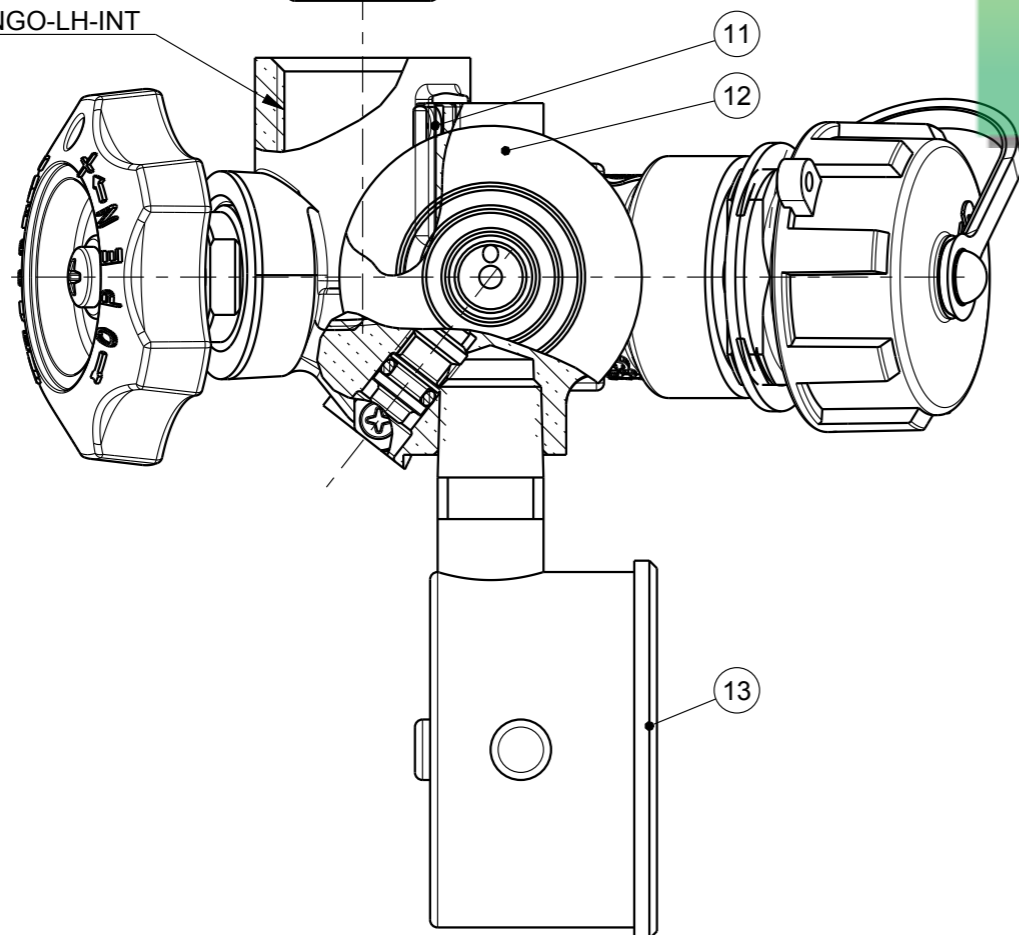


Assembled connections available supplied separately



.880" - 14 NGO-LH-EXT

.885" - 14 NGO-LH-INT



Dip tubes available, supplied separately

13	Manometer (EN 837)	1	3001100180
12	Assembled piston	2	0309500145
11	Screw	2	1401101024
10	Screw	1	1401101022
9	Handwheel blue RAL 5010/5017	1	0201100202
8	Assembled piston	1	0309500288
7	Spring	1	0701100087
6	Protection cap - Blue RAL5017	1	1009500062
5	Assembled piston	1	0309500126
4	Assembled connection	1	1609500019
3	Assembled bush	1	1009500047
2	Gasket	1	0401104019
1	Body	1	0101500781
POS	DENOMINATION	Q.ty	DRAW NR.

DESCRIPTION		GSE 35 Service valve					
	GEN. TOLL. ±-	GEN. FILL. R -	ANG. TOLL. ±-	DRAFT -	SCALE 1:1	SHEET 1/1	
	RESPONS.	DRAWN	APPROVED	ISSUED	MATERIAL		
	DATE	30-06-22	30-06-22	30-06-22	-		
	SIGNATURE	Gussago	Modena	Treccani	-		
	ACTIVITY	NUMBER	PROJECT	-	DRAW NUMBER		
	INDEX	REFERENCE	-	<h1>6704900776</h1>			
	FORMAT A3	WEIGHT Kg.	-				

Cavagna Group S.p.A. - Confidential Property. The reproduction of all or any part of this drawing and the communication to a third party of this project is forbidden. The use of any plan, drawing or calculation which relate to it can be allowed only with the written permission of Cavagna Group S.p.A.

Special characteristics: Critical/Critico Major/Primario Minor/Secondario

or changes id from previous index