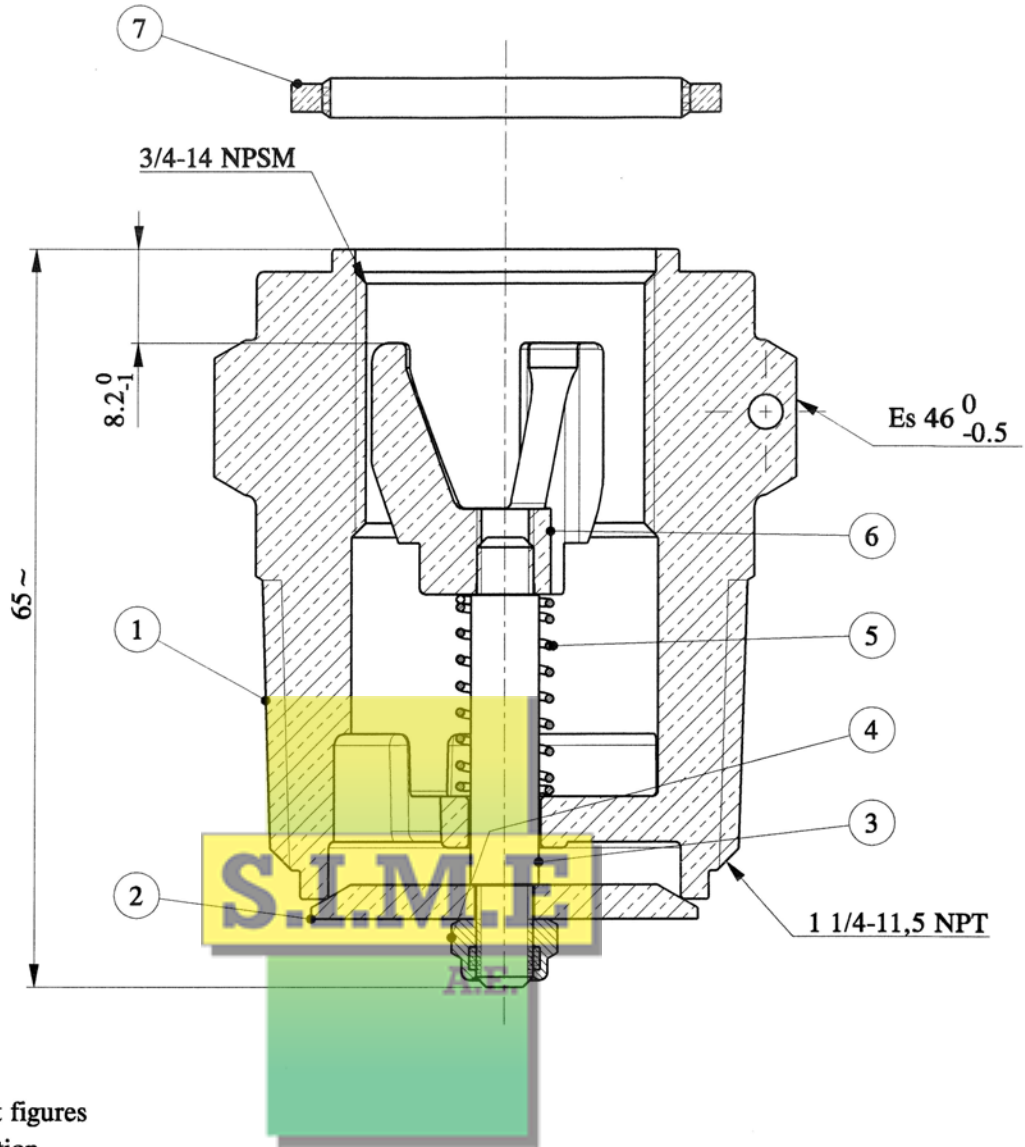


This drawing cannot be reproduced nor given to a third party without a written authorization by CAVAGNA GROUP DIV. OMECA Sp.a (ITALY)

The gasket BONDED-SEAL item pos. 7 (0401102573) is supplied separately only if requested in the order and defining the quantity




Markings:

- OMECA
- Month and two last figures of year of construction
- ST 20
- PROP-BUT
- 2.5 MPa
- MADE IN ITALY

-40°C

-CE □□□□ (see 2001101737)

| | | | |
|-----|---------------------|----|------------|
| 7 | Gasket, Bonded Seal | 1 | 0401102573 |
| 6 | Spring retainer | 1 | 0801100085 |
| 5 | Spring | 1 | 0701100112 |
| 4 | Self locking nut | 1 | 3001100171 |
| 3 | Stem | 1 | 1301100047 |
| 2 | Washer | 1 | 1501100074 |
| 1 | Machined body | 1 | 0101504185 |
| POS | DENOMINATION | Q. | DRAW NR. |

| | | | | | | | |
|--|--------------|---------------------------|--------------|-------------|-----------|-------------|--|
| DESCRIPTION | | BACK PRESSURE VALVE ST 20 | | | | | |
|  CAVAGNA GROUP omeca | GEN. TOLL. ± | GEN. FILL. R | ANG. TOLL. ± | DRAFT | SCALE 3:2 | SHEET 1 / 1 | |
| | RESPONS. | DRAWN | ISSUE | MATERIAL | | | |
| | DATE | 28-07-92 | 30-07-92 | - | | | |
| | SIGNATURE | Cazzago | Donini | - | | | |
| | ACTIVITY | NUMBER | PROJECT | DRAW NUMBER | | | |
| | 20188 | - | 7101900016 | | | | |
| | SIGN. | REFERENCE | 7121900016 | | | | |
| | INDEX | XXXXXX | XXXXXX | | | | |
| | | 7101900016 | | | | | |