

Version with painted head, metal cover and sight window

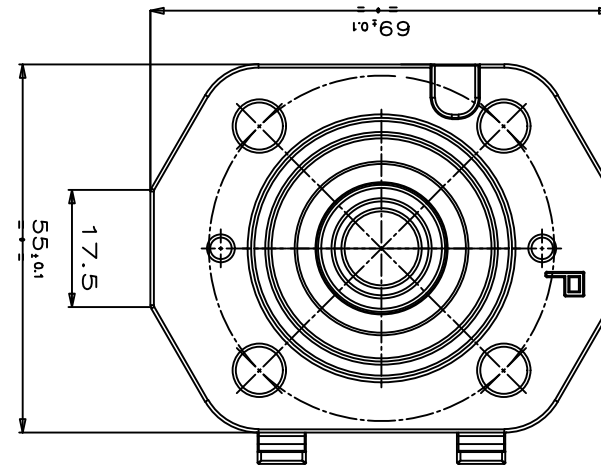
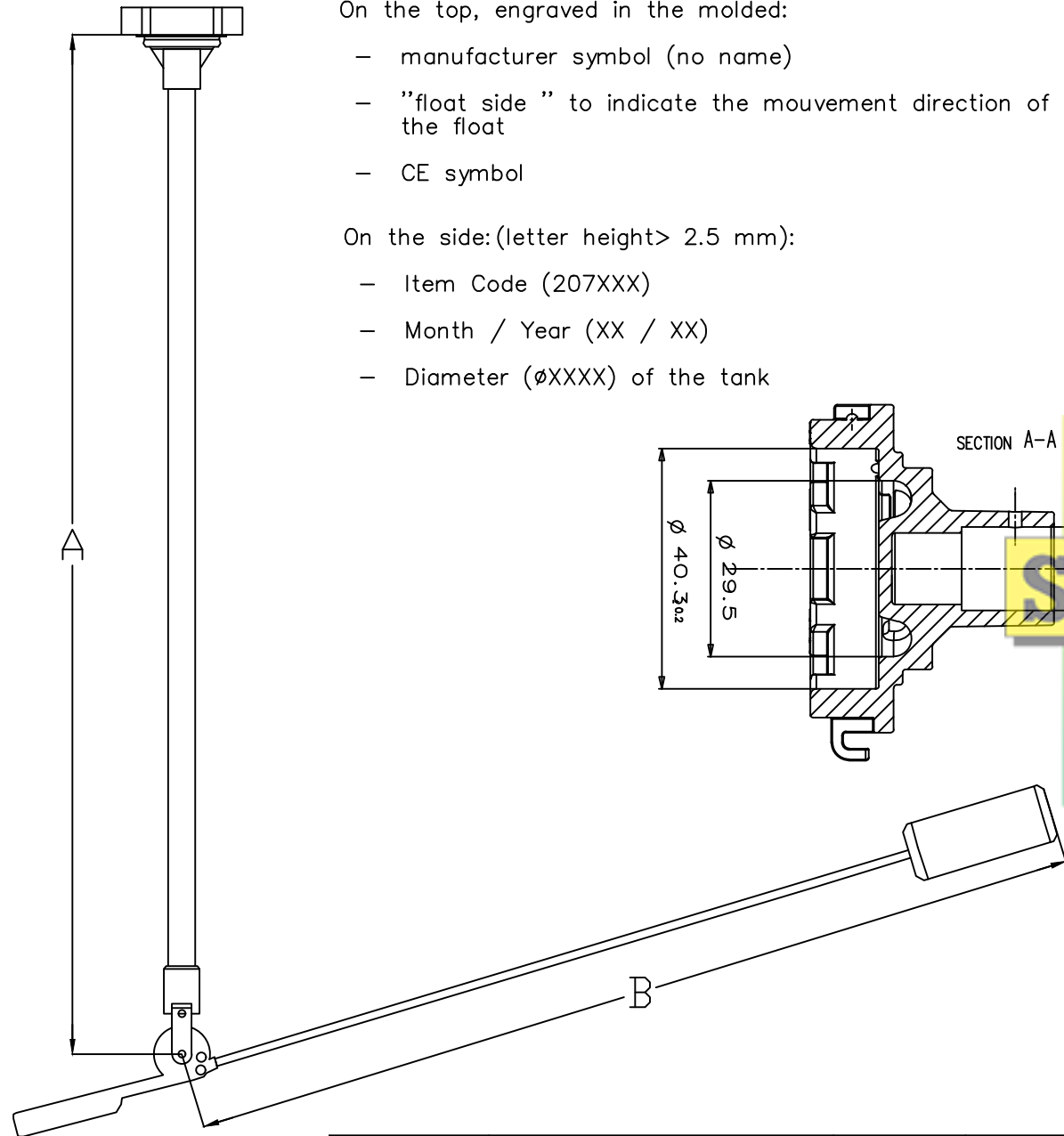
MARKING ON THE GAUGE HEAD

On the top, engraved in the molded:

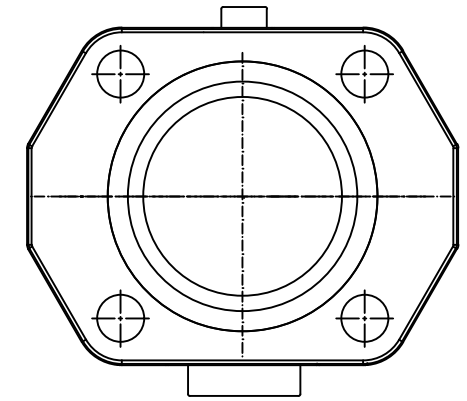
- manufacturer symbol (no name)
- "float side" to indicate the movement direction of the float
- CE symbol

On the side:(letter height > 2.5 mm):

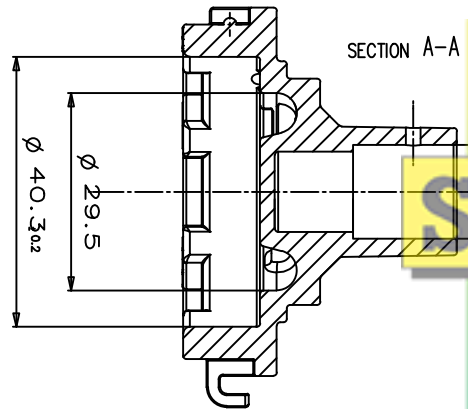
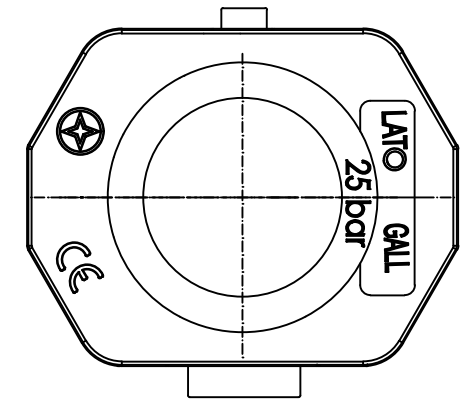
- Item Code (207XXX)
- Month / Year (XX / XX)
- Diameter (ØXXXX) of the tank



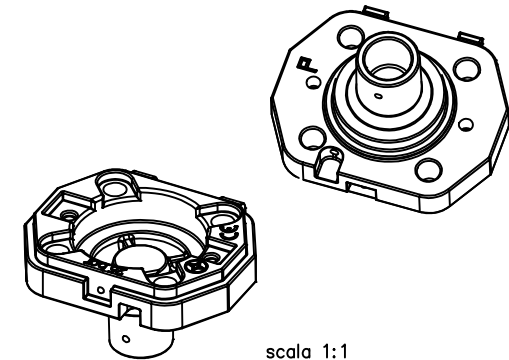
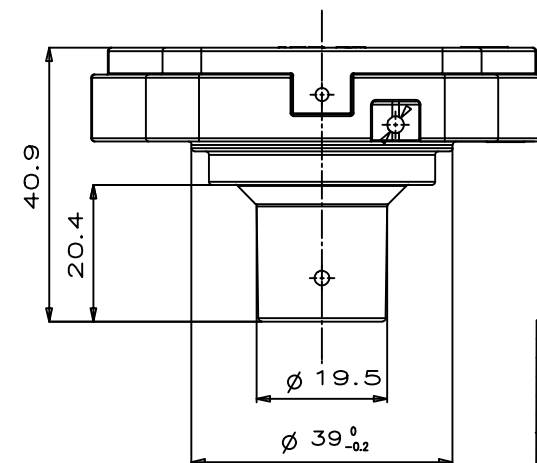
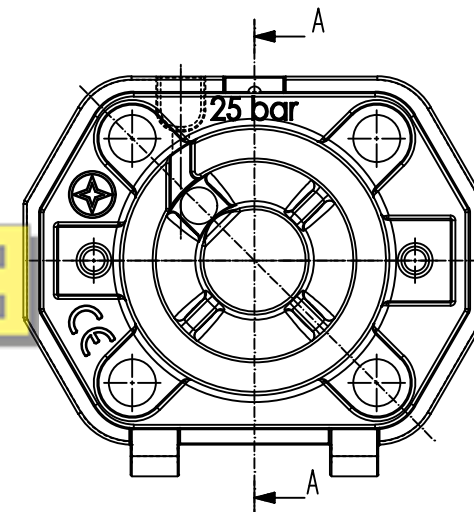
METAL COVER BACK SIDE



METAL COVER FRONT SIDE



**S.I.M.E.**  
A.E.



ART.	TANK			QUOTE mm		DIAL
	Ø mm	Capacity litres	Type	A	B	
2070/MTI-E TVA	800	990/1000	HORIZONTAL	412	360	HORIZONTAL
2071/MTI-E TVA	1000	1750/1800	HORIZONTAL	512	456	HORIZONTAL
2072/MTI-E TVA	1200	3000/5000	HORIZONTAL	612	535	HORIZONTAL
2073/MTI-E TVA	1250	-	HORIZONTAL	635	560	HORIZONTAL
2075/MTI-E TVA	800	500	VERTICAL	612	456	HORIZONTAL
2077/MTI-E TVA	1000	1000	VERTICAL	753	585	VERTICAL
2078/MTI-E TVA	1200	1500/1650	VERTICAL	860	686	VERTICAL

EMISSO					
Emis. Issue	DESCRIZIONE Description	Disegnato/Drawn data/date	Cont./Checked data/date	Appr./Approved data/date	
Ricevuto Da Da/Obtained From DWG.	ANNO Year 2020	№ Pezzi pieces	Comm. Job	NF SN	
TITOLO TITLE	Spec tank gauges		MATERIALI MATERIAL ZAMA 15 UNI3718 (GP.Zn. Al 4 Cu1)		
COMITENTE Purchaser	File ....				
<b>COTRAKO</b> s.r.l.		Scale 2:1			
Via Milano, 17 - 24040 Colvanzano (BG) Tel. +39 0385-86417-85077-85011 Fax +39 0385-85141 e-mail: info@cotrako.it - www.cotrako.it		Dwg. nr.	Sheet	of	Rev.
Questo disegno è di proprietà della ditta COTRAKO s.r.l. - È vietata qualsiasi riproduzione e/o circolazione che non sia stata prima autorizzata.		This drawing is the property of COTRAKO s.r.l. - All rights are reserved for its use in reproduction and/or diffusion.			