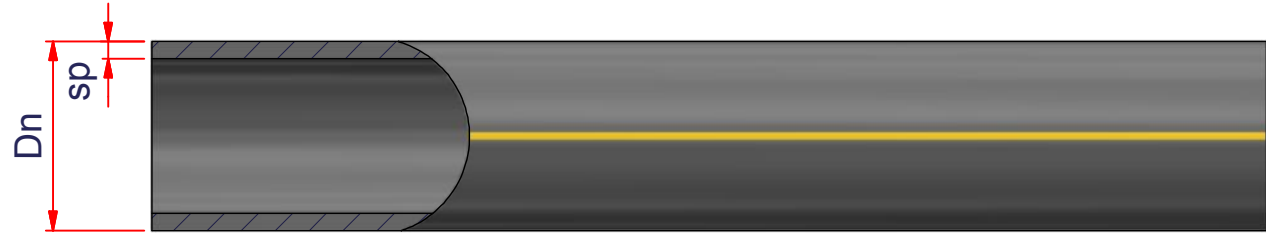
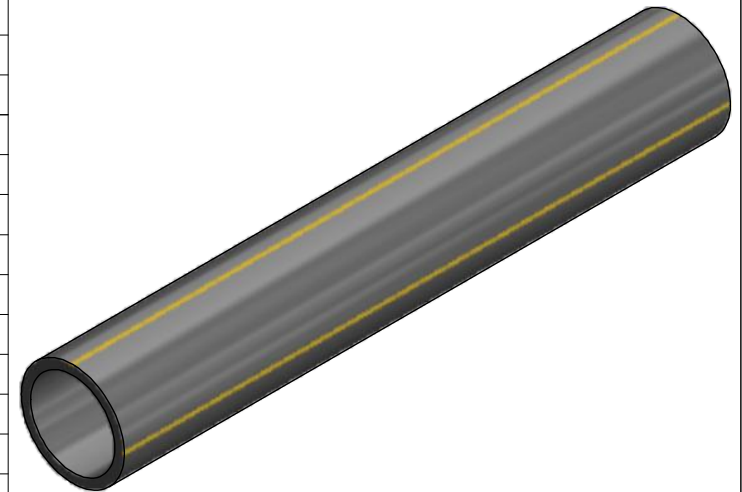


NUPIGAS



CODE	Dn	Imballo Packaging	MOP5 BAR	MOP3 BAR	MOP3 BAR
			SDR 11	SDR17	SDR 17,6
			S5	S8	S8,3
			sp	sp	sp
12TS_20	20	R100	3,0	-	-
12TS_25	25	R100	3,0	-	-
12TS_32	32	R100/B6	3,0	-	-
12TS_40	40	R100/B6	3,7	-	-
12TS_50	50	R100/B6	4,6	3,0	-
12TS_63	63	R100/B6	5,8	3,8	-
12TS_75	75	B6/B12/R100	6,8	4,5	-
12TS_90	90	B6/B12/R100/R50	8,2	5,4	5,2
12TS_110	110	B6/B12/R50	10,0	6,6	6,3
12TS_125	125	B6/B12	11,4	7,4	7,1
12TS_140	140	B6/B12	12,7	8,3	8,0
12TS_160	160	B6/B12	14,6	9,5	9,1
12TS_180	180	B6/B12	16,4	10,7	10,3
12TS_200	200	B6/B12	18,2	11,9	11,4
12TS_225	225	B6/B12	20,5	13,4	12,8
12TS_250	250	B6/B12	22,7	14,8	14,2



LEGENDA - LEGEND:

B6/B12 = barre 6/12 - 6/12 m sticks
R50 = rotoli 50 m - 50 m coils
R100 = rotoli 100 m - 100 m coils
R200 = rotoli 200 m - 200 m coils
R500 = rotoli 500 m - 500 m coils



PoliètilenETUBI

ITEM: **TS**

C:\Vault_Temp\Disegni\Schede Tecniche\Poliètilenetubi
metric\Gas\PT10001.dwg

DESC: TUBO PE80 A NORME UNI EN 1555 - (Tipo 316) -
DIN 8074
PE80 PIPE IN CONFORMITY WITH STANDARDS
UNI EN 1555 - (316 Type) - DIN 8074

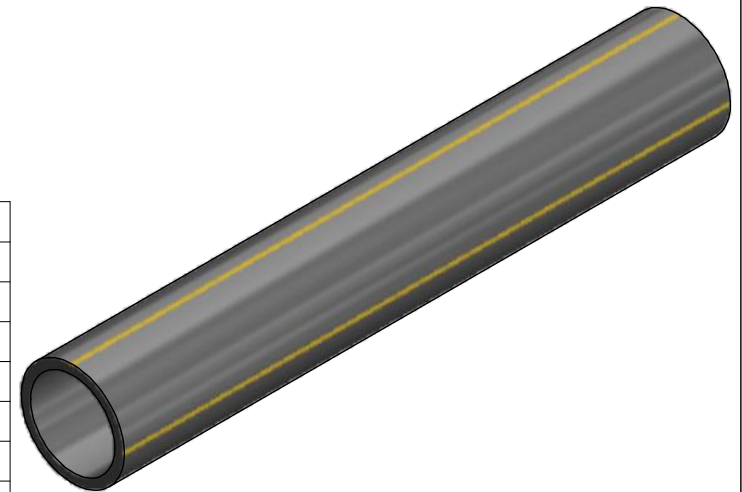
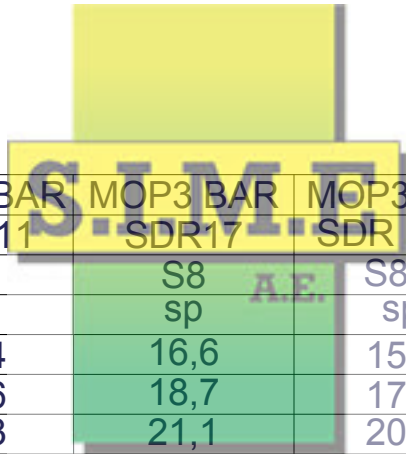
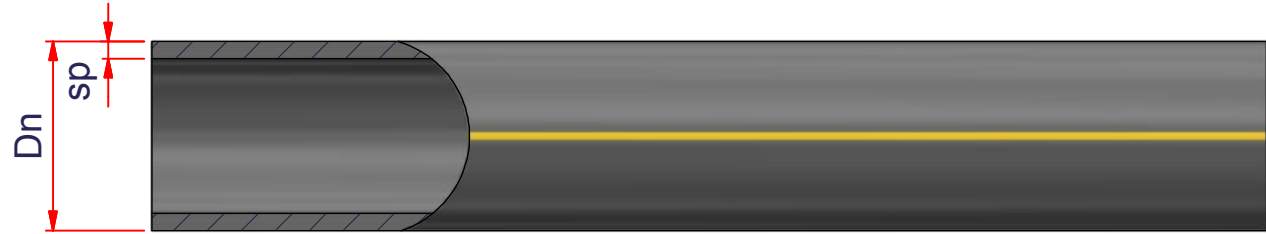
DRAWING No:
PT10001

SHEET OF	REV.
1 2	-2

www.nupiindustriaitaliane.com - info@nupinet.com

All dimensions have to be considered in millimeters with 5% tolerance if not otherwise mentioned excluding values as per standard EN 1555 (gas) and/or EN 12201 (water)

NUPIGAS



CODE	Dn	Imballo Packaging	MOP5 BAR	MOP3 BAR	MOP3 BAR
			SDR 11	SDR17	SDR 17,6
			S5	S8	S8,3
			sp	sp	sp
12TS_280	280	B6/B12	25,4	16,6	15,9
12TS_315	315	B6/B12	28,6	18,7	17,9
12TS_355	355	B6/B12	32,3	21,1	20,2
12TS_400	400	B6/B12	36,4	23,7	22,8
12TS_450	450	B6/B12	41,0	26,7	25,6
12TS_500	500	B6/B12	45,5	29,7	28,4
12TS_560	560	B6/B12	51,0	33,2	31,9
12TS_630	630	B6/B12	57,3	37,4	35,8

LEGENDA - LEGEND:

- B6/B12 = barre 6/12 - 6/12 m sticks
- R50 = rotoli 50 m - 50 m coils
- R100 = rotoli 100 m - 100 m coils
- R200 = rotoli 200 m - 200 m coils
- R500 = rotoli 500 m - 500 m coils



PolietileneTUBI

ITEM: **TS**

C:\Vault_Temp\Disegni\Schede Tecniche\PolietileneTubi
metric\Gas\PT10001.dwg

DESC: TUBO PE80
A NORME UNI EN 1555 - (Tipo 316) - DIN 8074
PE80 PIPE
IN CONFORMITY WITH STANDARDS UNI EN
1555 - (316 Type) - DIN 8074

DRAWING No:
PT10001

SHEET OF	REV.
2 2	-2

www.nupiindustriaitaliane.com - info@nupinet.com

All dimensions have to be considered in millimeters with tolerances and type as per standard EN 1555 (gas) and/or EN 12201 (water)