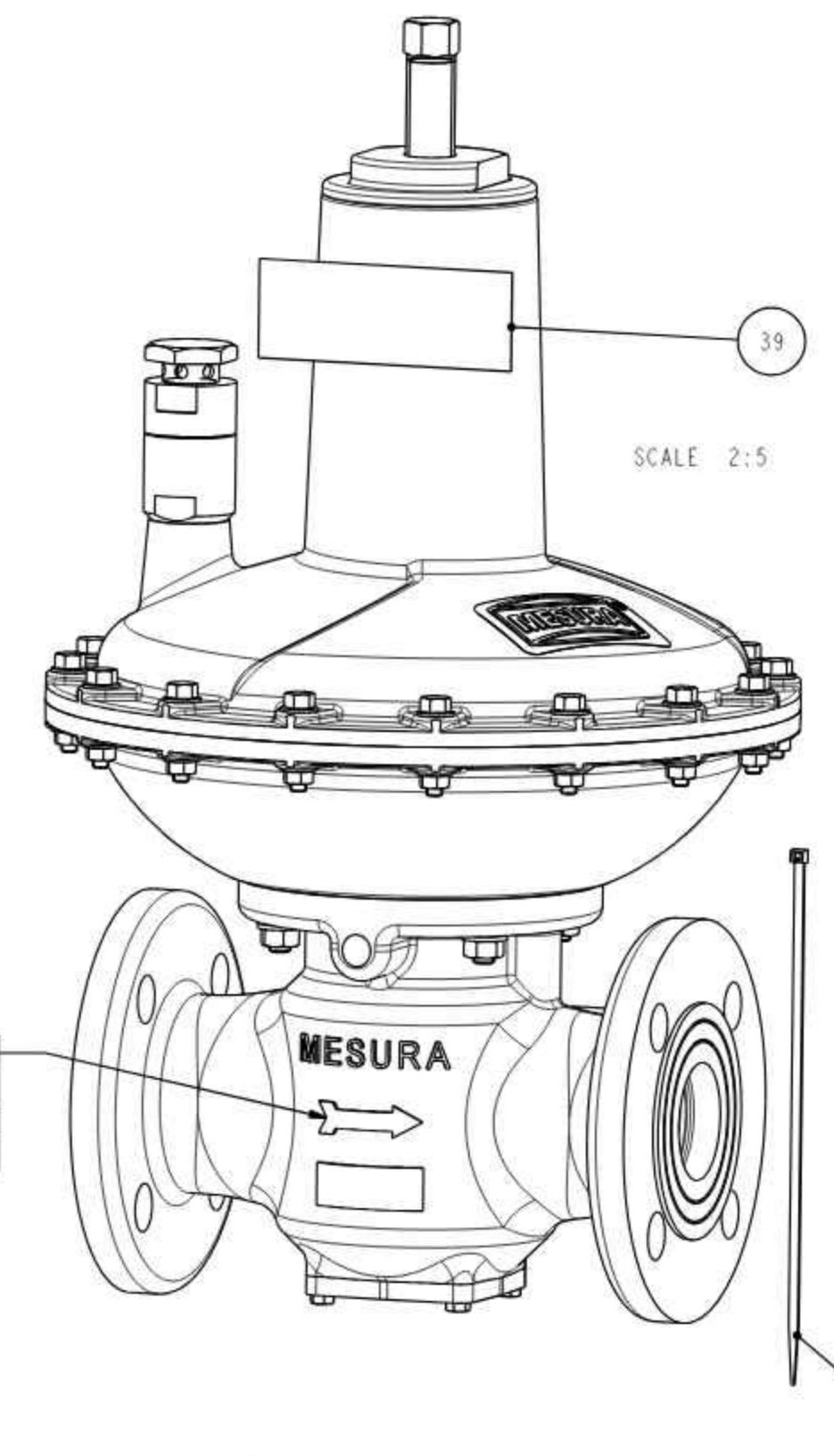
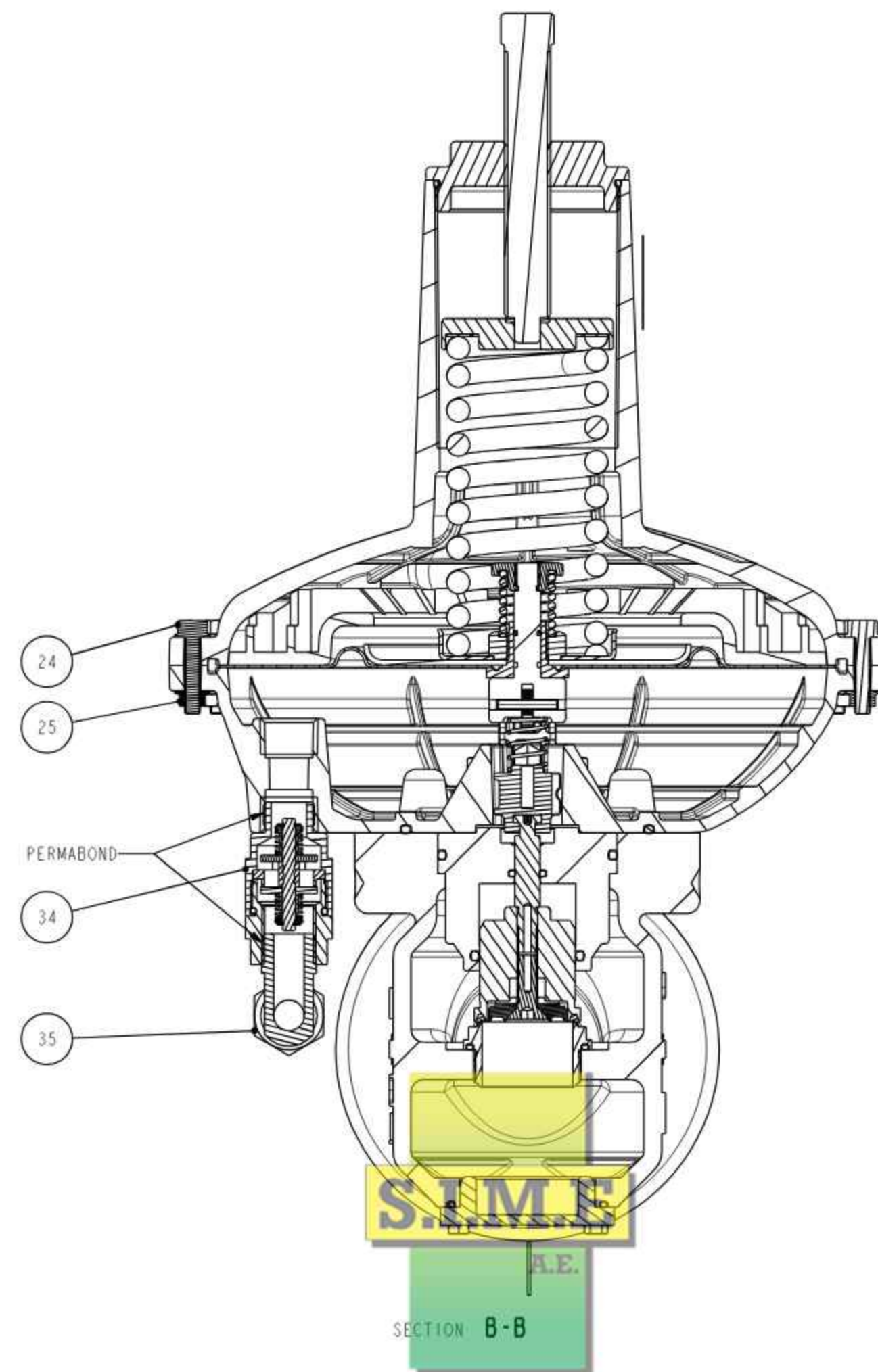
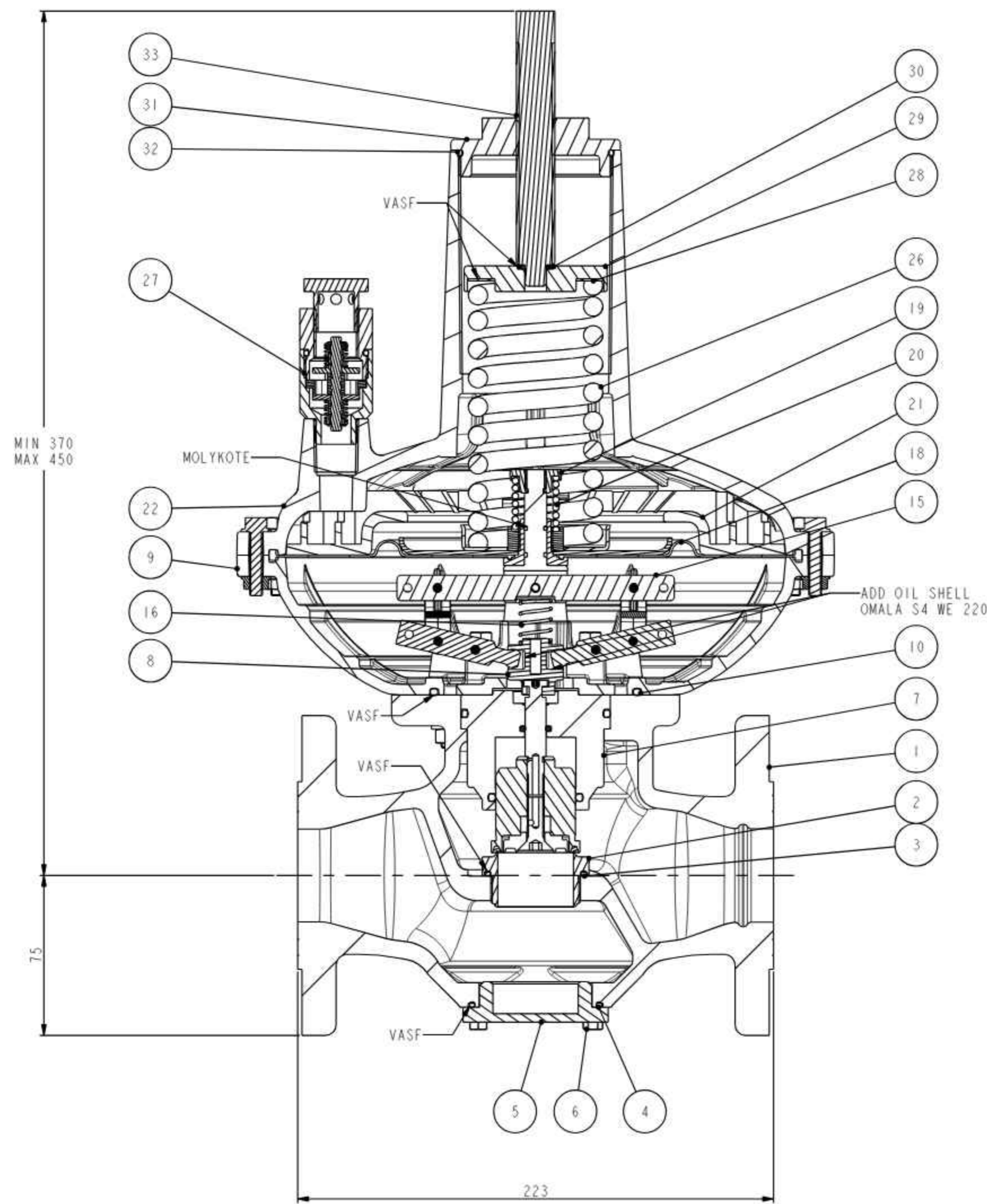


SECTION A-A



ATTENTION: ORIENTATION AND POSITION OF EXTERNAL IMPULSE FITTINGS SHALL BE RESPECTED, AS PER THIS DRAWING, TAKING INTO ACCOUNT THE GAS FLOW DIRECTION

THE INSTRUCTION MUST BE INSERTED IN A PERFORATED BAG AND SECURED WITH A CLAMP TO THE REGULATOR FLANGE

NO	NO PRODUCT	DENOMINATION	Q.TY
1	00-1-950-0292	S/A PAINTED BODY S22 DN40 PN16/25 LT	1
2	16-1-110-1549	ORIFICE Ø35.5 S22	1
3	04-1-110-0624	O RING Ø42,52X2,62(3530806010082)	1
4	04-1-110-0113	O-RING Ø56.82 X 2.62	1
5	20-1-110-0279	CAP FOR NO VSI VERSION	1
6	14-1-110-0171	SCREW M5 - L=18	4
7	40-1-950-0434	S/A REGULATING SYSTEM S22 APA	1
8	21-1-110-0504	QUICK COUPLER S22 REGULATOR	1
9	01-1-950-0292	S/A PAINTED S22 LOWER COVER	1
10	04-1-110-0671	O RING Ø91,67x3,53(3530806010127)	1
11	14-1-110-0145	TRAPPED SCREW M8(1530011202920)	4
12	15-1-110-0187	PLAIN WASHER D8-ZN(3532015001003)	4
13	10-1-110-1067	NUT M8 UNI5588(340011207)	4
14	05-1-110-0110	LEVER PIN Ø4X30	2
15	02-1-950-0092	S/A LEVER FOR S22 AP	1
16	07-1-110-0999	QUICK COUPLER SPRING FOR S22 AP	1
17	14-1-110-0198	SCREW TE M6x16	4
18	09-1-950-0291	S/A DIAPHRAGM AP	1
19	08-1-110-0117	SPRING ADJUSTMENT (1530421201583)	1
20	07-1-110-1178	SPRING DAMPER AP(1530201201893)	1
21	21-1-110-0498	REDUCTION DISC IPR AP	1
22	01-1-950-0293	S/A PAINTED S22 SUPERIOR COVER	1
23	14-1-110-0068	SCREW-SELF-TAPPING-POZI-M4 X 13	2
24	14-1-110-0214	KNURLED SCREW TEF M6x30 ZN	16
25	10-1-110-1085	KNURLED NUT WITH COLLAR M6 ZN	16
26	07-1-110-0879	REGULATION SPRING (1530201202189)	1
27	19-1-950-0180	S/A SUPERIOR DAMPER S22 AP	1
28	15-1-110-0198	WASHER (1530201202536)	1
29	11-1-110-0150	SPRING REGULATION PLATE(1532011201591)	1
30	15-1-110-0188	WASHER (1530441201903)	1
31	19-1-110-0124	REGULATING COVER CAP WITH M18	1
32	04-1-110-0704	O-RING Ø67,95x2,62	1
33	14-1-110-0550	ADJUSTING SCREW	1
34	19-1-950-0181	S/A IMPULSE GRIP DAMPER S22 AP	1
35	30-1-110-0430	FITTING TN94-14SR 1/2" CONICAL	1
36	23-1-210-0813	POLYBAG 160x110	1
37	20-1-110-0517	CABLES TIES 200x3.6 mm - Ø MAX 50 mm	1
38	34-1-110-1908	S22 INSTRUCTION - EN	1
39	34-1-310-1958	ADHESIVE REGULATOR LABEL	1
40	23-1-210-1136	INSERT FOR SINGLE BOX S22 SERIES	2
41	23-1-210-1137	SINGLE BOX (MESURA LOGO)	1
42	34-1-210-8015	LABEL FOR EXPEDITION BOX	1

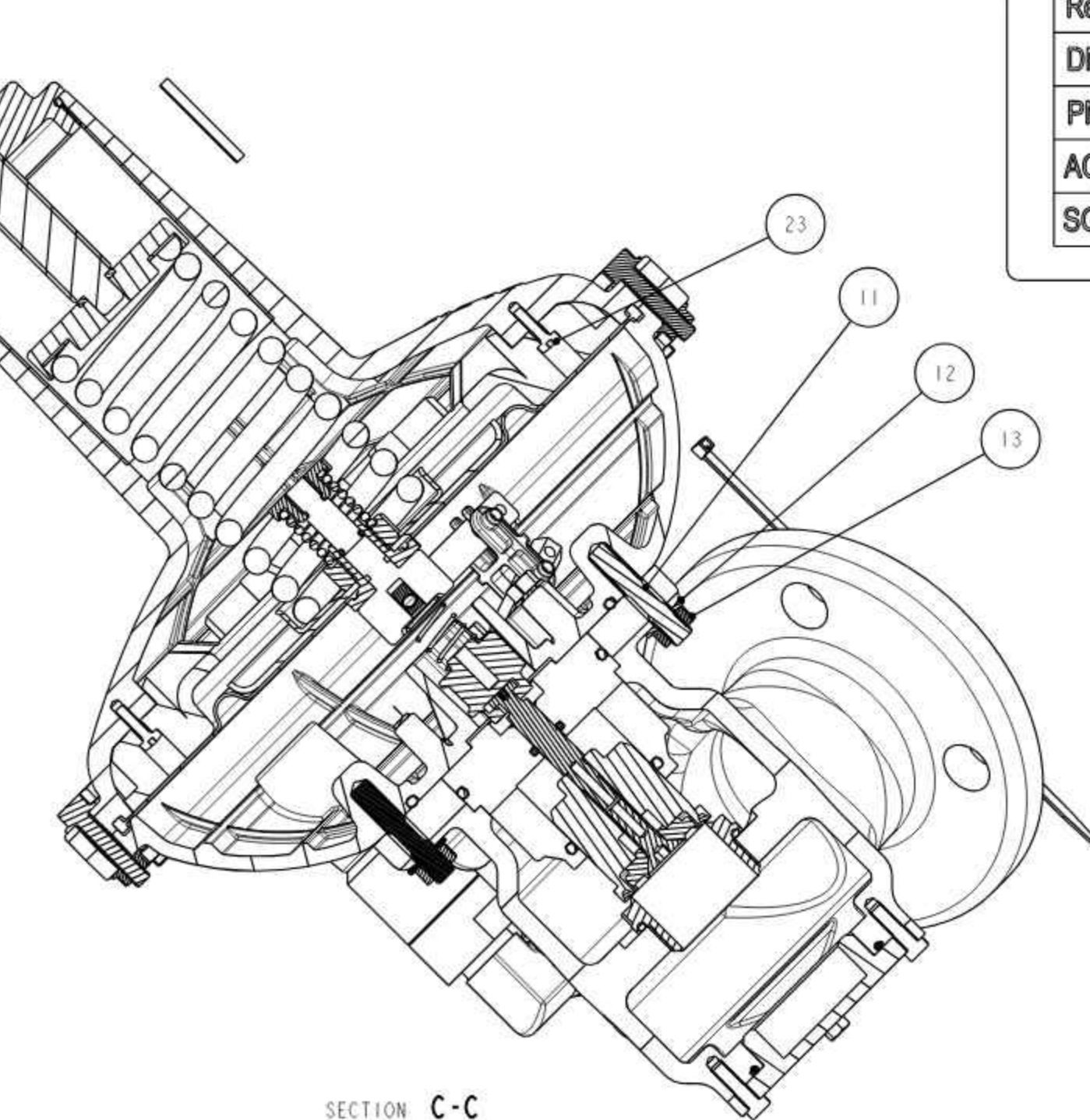
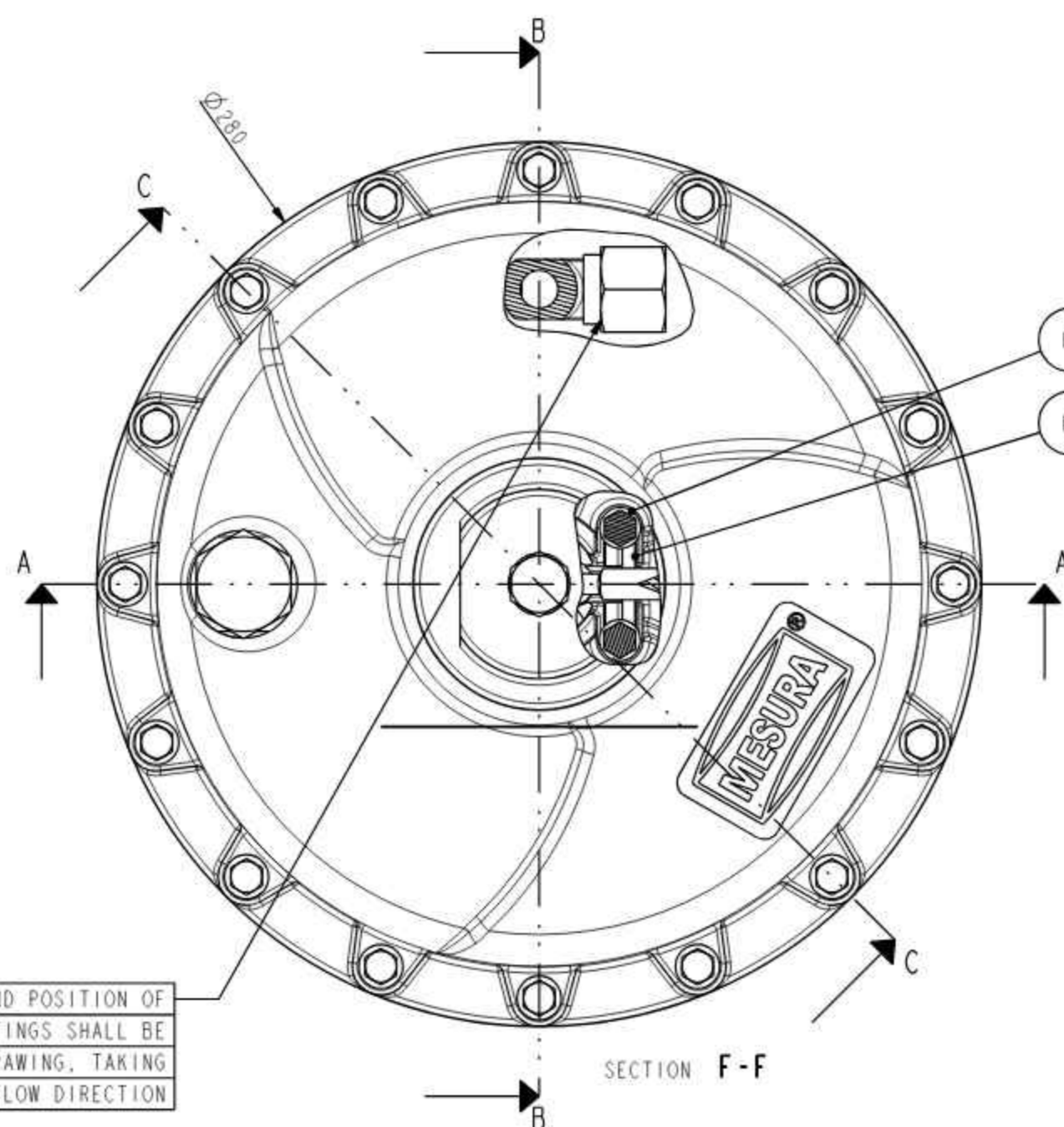
REGULATOR ADHESIVE LABEL

Via Matteotti, 5
25012 CALVISANO (BS)
MADE IN ITALY

Regulator	S22-1 APA	Serial N° E <N>	EN334	Year xxx
DN 40 TS	Cl. 2 -20°C +60°C	Pu max 20 bar	Pds 1000 mbar	
PN 16 PS	20 bar	Bpu Pds+0.5-19 bar	Wds 950-1750 mbar	
AC 5 PSD	6 bar	Fluid NATURAL GAS	Wd 300-5000 mbar	
SG 10 Strength	IS	Type Fail to open	Cg 750	Weight XX kg

LABEL FOR EXPEDITION BOX

Pressure Regulator
S22-1 APA DN40 PN16/25
Code 22-R-120-8003
Calibration Pds: 1000 mbar
Serial N.: E<N>
MADE IN ITALY



SECTION C-C

ATTENTION: ORIENTATION AND POSITION OF EXTERNAL IMPULSE FITTINGS SHALL BE RESPECTED, AS PER THIS DRAWING, TAKING INTO ACCOUNT THE GAS FLOW DIRECTION

Questo disegno non può essere riprodotto, né commercializzato, né utilizzato a fini, senza autorizzazione scritta della Cavagna Group S.p.A. Via Matteotti, 5 - Calvisano - BS - Italia

RECA		MODEL		ORIFICE		JACKET		ORIFICE		SHARED		PROD. INT. GROUP	
PERFORMANCE DOC.	COUNTRY	COUNTRY SPECIFIC	WEIGHT	SCALE	MODEL FILE	PRODUCT NO		REV					
N.A.	GRECIA	N.A.	N.A.	1:2	N.A.	22-R-120-8003		0					
PROJ. EVOLUTION	PROJECT NO	RELEASE LEVEL	DRAWN BY	VERIFIED BY	APPROVED BY	DATE							
DEFINITIVE	DNG08919	STUDY WIP	CHORINI	PENETTI	TOMASELLI	13/02/24							