

LABEL FOR EXPEDITION BOX

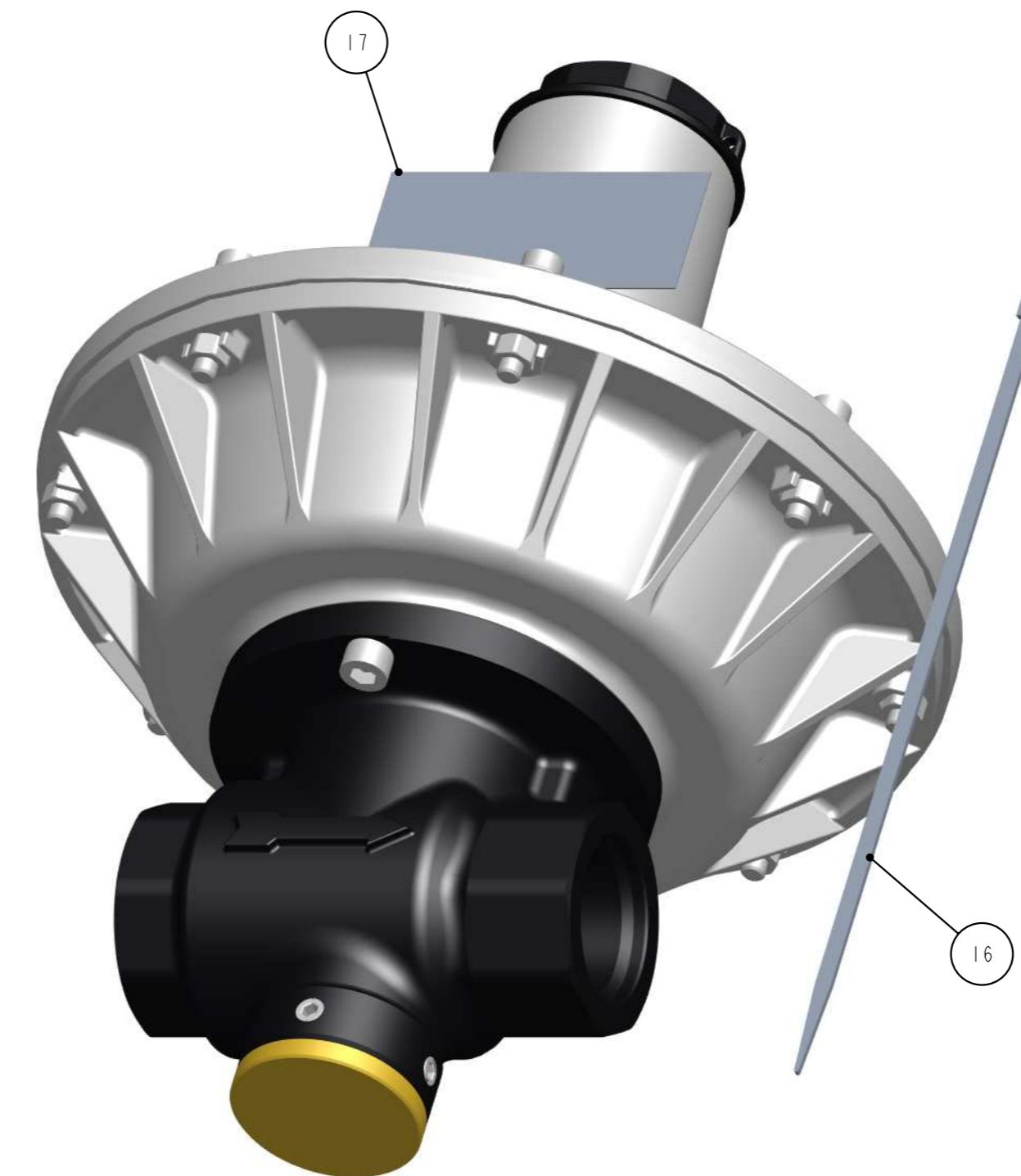
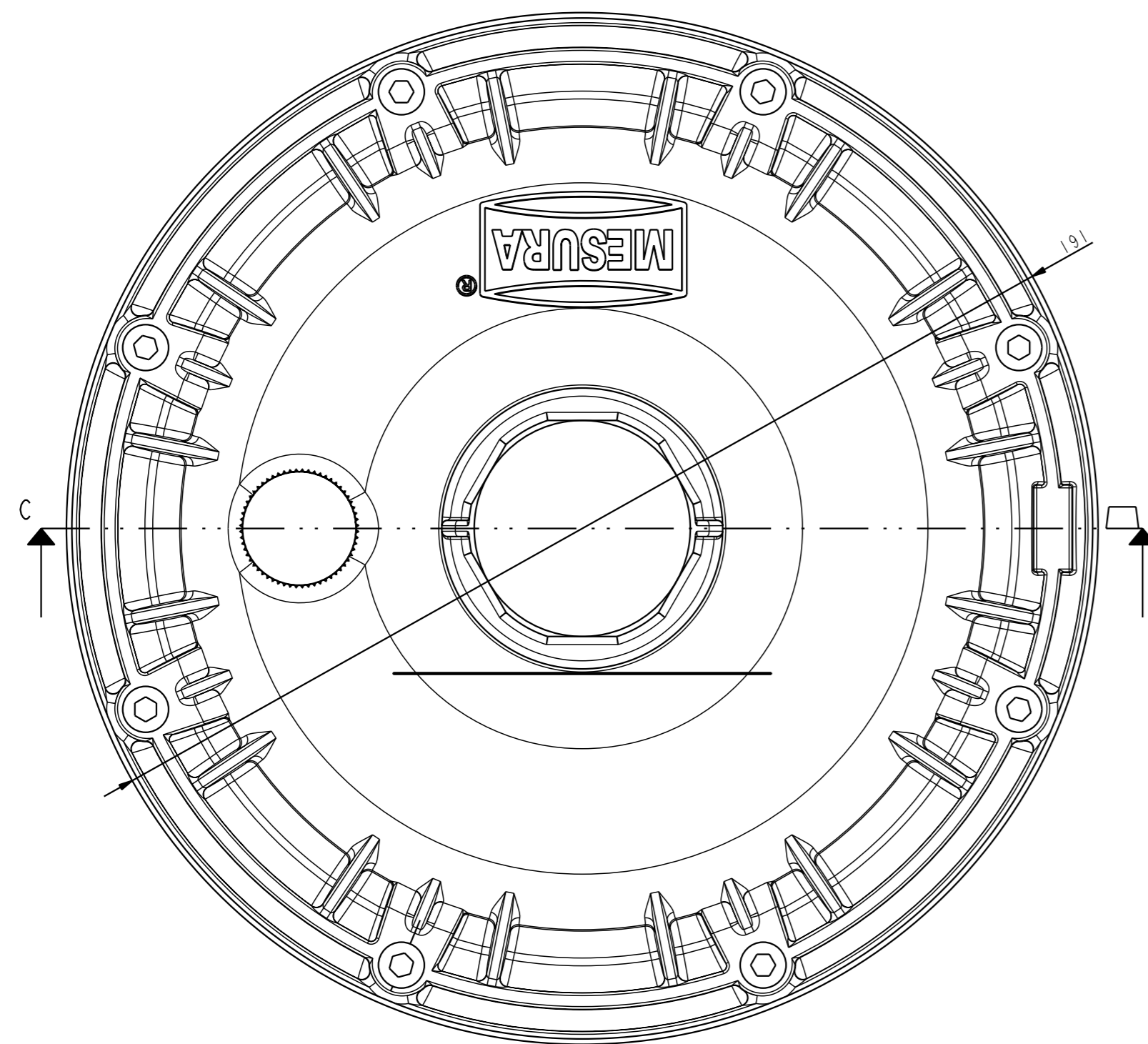
Pressure Regulator
IPR 75 1" x 1" MP G
Code 21-R-120-2001
Calibration Pds: 300 mbar
Serial N.: E<N>
MADE IN ITALY

REGULATOR ADHESIVE LABEL

				Via Mattioli, 5 25012 CALVISANO (BS) MADE IN ITALY	
IPR 75 MP	S/N° E<N>	EN334	Year xxxx		
1" x 1"	TS class 2	Pu max 6 bar	Pds 300 mbar		
Cg 160 PS 20 bar	Bpu 0,5-5 bar	Wds 200-350 mbar			
AC 5 PSD 6 bar	NATURAL GAS	Wd 150-500 mbar			
SG 10 Strength	IS Type Fail to open	Weight x,x kg			

THE INSTRUCTION MUST BE INSERTED IN A PERFORATED BAG AND SECURED WITH A CLAMP TO THE REGULATOR FLANGE

NO	NO PRODUCT	DENOMINATION	O.TY
1	00-1-950-0208	S/A BODY IPR 75 (1761001250701)	1
2	04-1-110-0624	O RING Ø42, 52X2, 62(3530806010082)	1
3	40-1-950-0104	S/A BALANCED SYSTEM IPR75-150 MP-AP (199000284)	1
4	22-1-150-0345	STRAIGHT VENTURI HOSE L=43	1
5	21-R-950-0008	S/A REGULATOR IPR75/150 MP NO PRV&IMPULSE	1
6	04-1-110-0626	O RING Ø63, 17x2, 62(3530806010094)	1
7	14-1-110-0128	SCREW TCE1 M6X20 ZN(3532015003035)	2
8	19-1-110-0093	PLUG CLOSED VS1(1530421202164)	1
9	04-1-110-0625	O RING Ø20, 63x2, 62(320102029)	1
10	14-1-110-0127	SCREW STE1 M6X10 ZN(3532015008001)	4
11	07-1-110-1151	S21 REGULATION SPRING MP/AP (1530201202179)	1
12	08-1-110-0111	SPRING ADJUSTMENT IPR75 (1530421202269)	1
13	19-1-110-0094	SUPERIOR PLUG	1
14	34-1-110-1449	INSTRUCTION IPR(153028UTE)	1
15	23-1-210-0813	POLYBAG 160x110	1
16	20-1-110-0517	CABLES TIES 200x3.6 mm - Ø MAX 50 mm	1
17	34-1-310-1951	ADHESIVE REGULATOR LABEL	1
18	23-1-210-0928	SINGLE BOX IPR&VDB 75-150(199001137)	1
19	34-1-210-8004	LABEL FOR EXPEDITION BOX	1



SCALE 4:5

		IPR 75 1" x 1" G Pds300 N.A.		NATURAL GAS 300 mbar N.A.	
RECA	IPR75	OUTLET	INLET	SHARED	PROD. INT. GROUP
	18	Rp 1 ISO7	Rp 1 ISO7	I	-
PERFORMANCE DOC.	COUNTRY	COUNTRY SPECIFIC	WEIGHT	SCALE	MODIFY FILE
-	GRECIA	N.A.	N.A.	1:1	N.A.
PROD. EVOLUTION	PROJECT NO	RELEASE LEVEL	DRAWN BY	VERIFIED BY	APPROVED BY
DEFINITIVE	DNG08919	STUDY WIP	CHIRINI M.	PERMETTI A.	TOMASELLI L.
DATE					12/02/24
PRODUCT NO					21-R-120-2001
REV					0