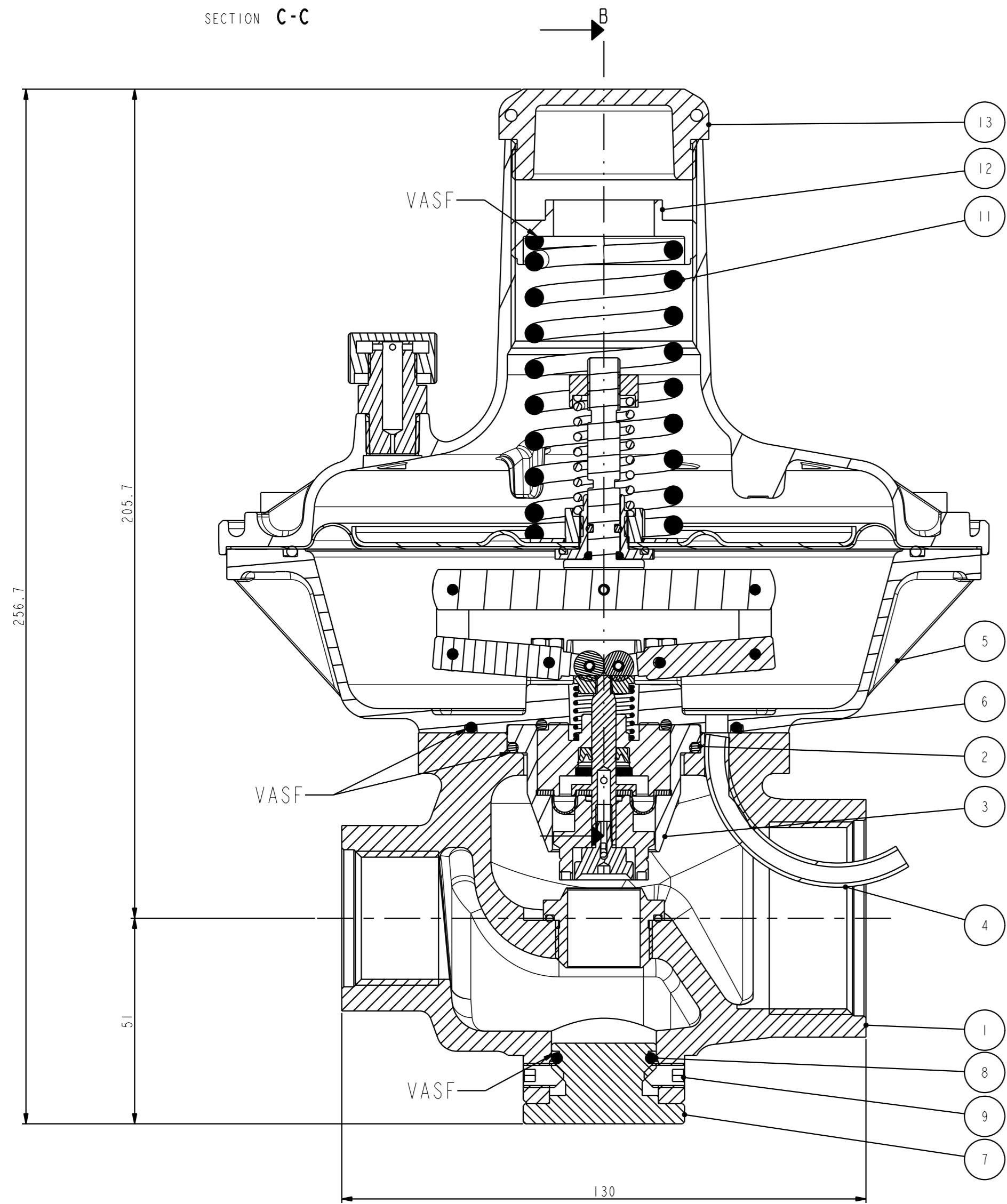
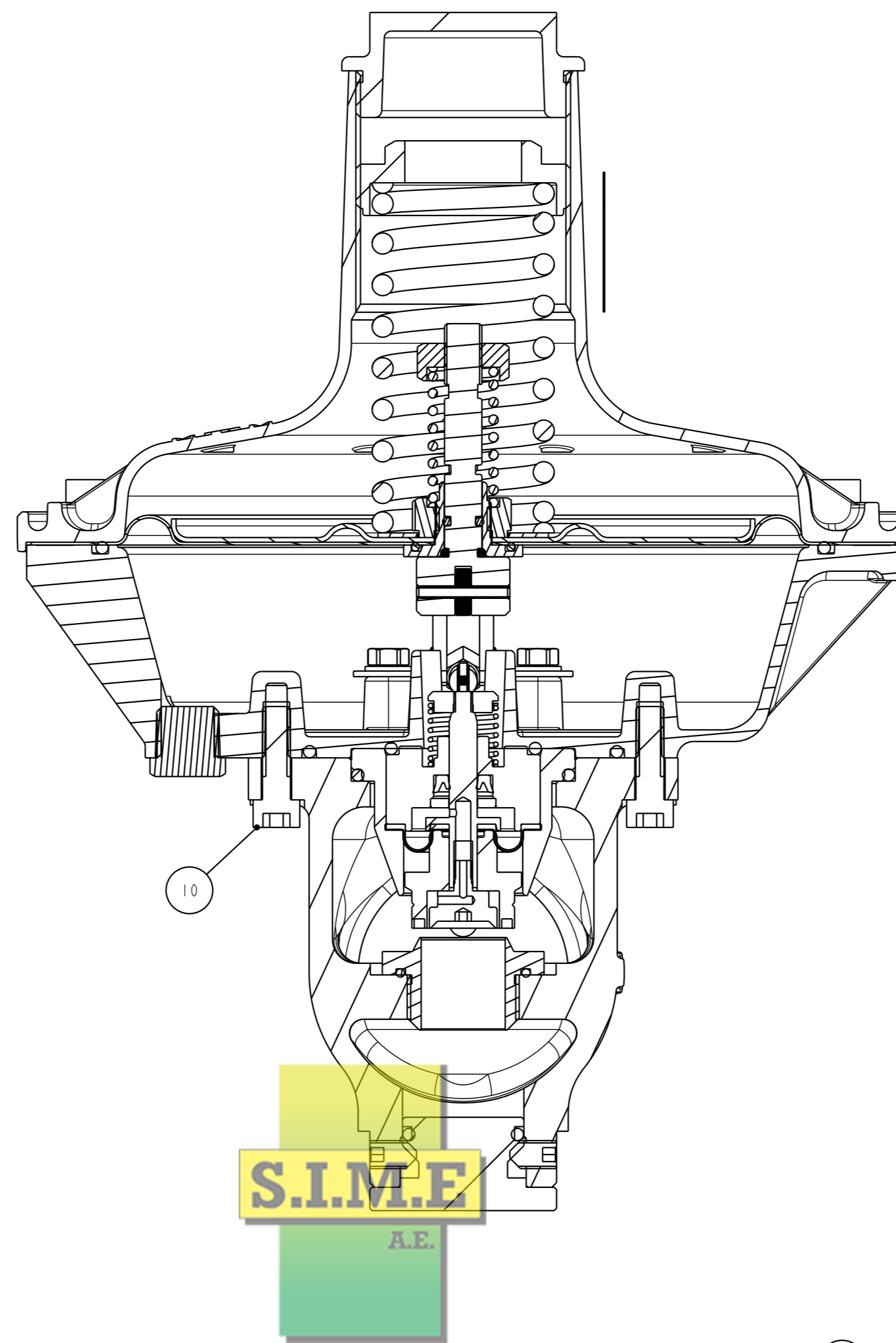


SECTION C-C



SECTION B-B



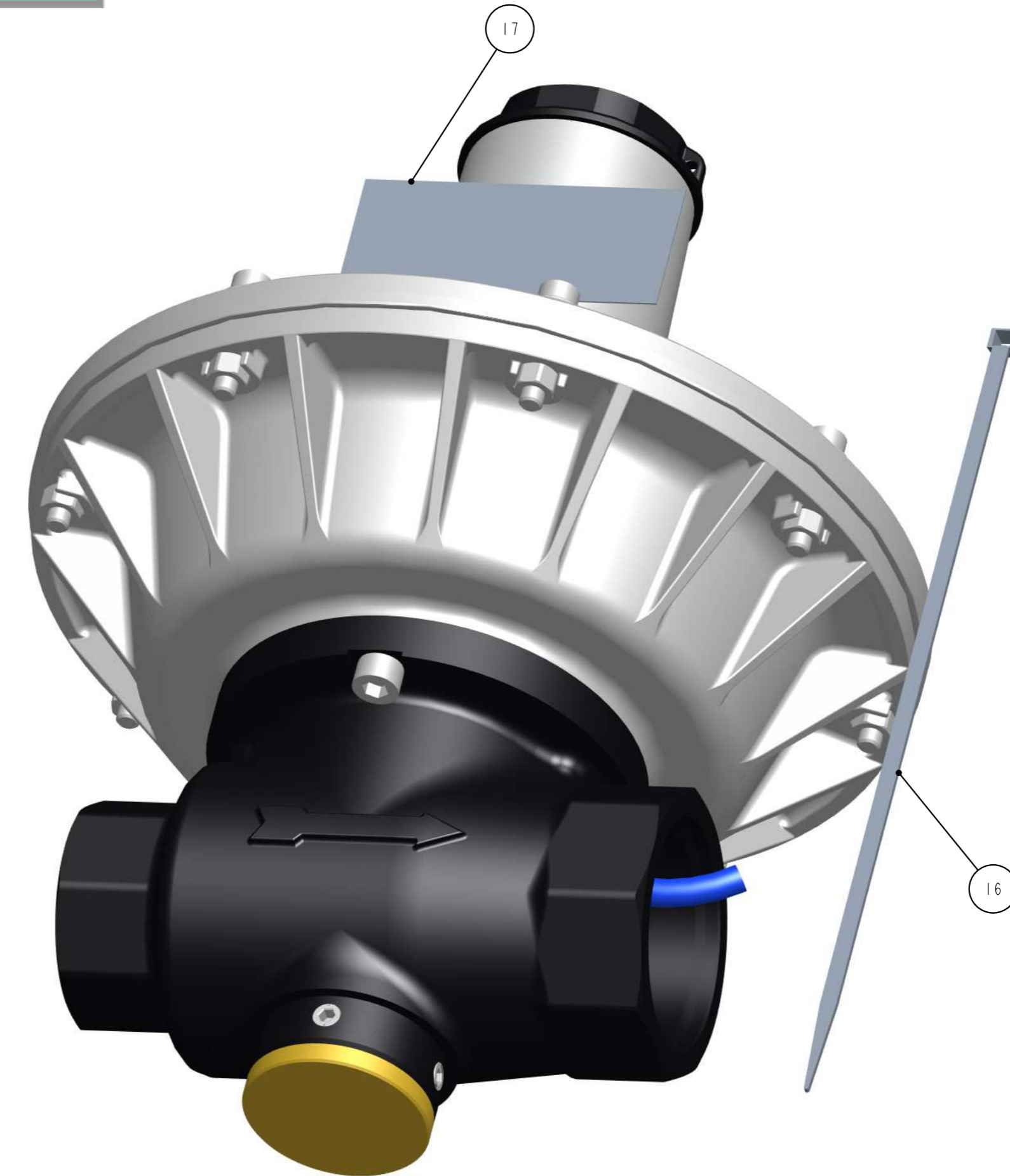
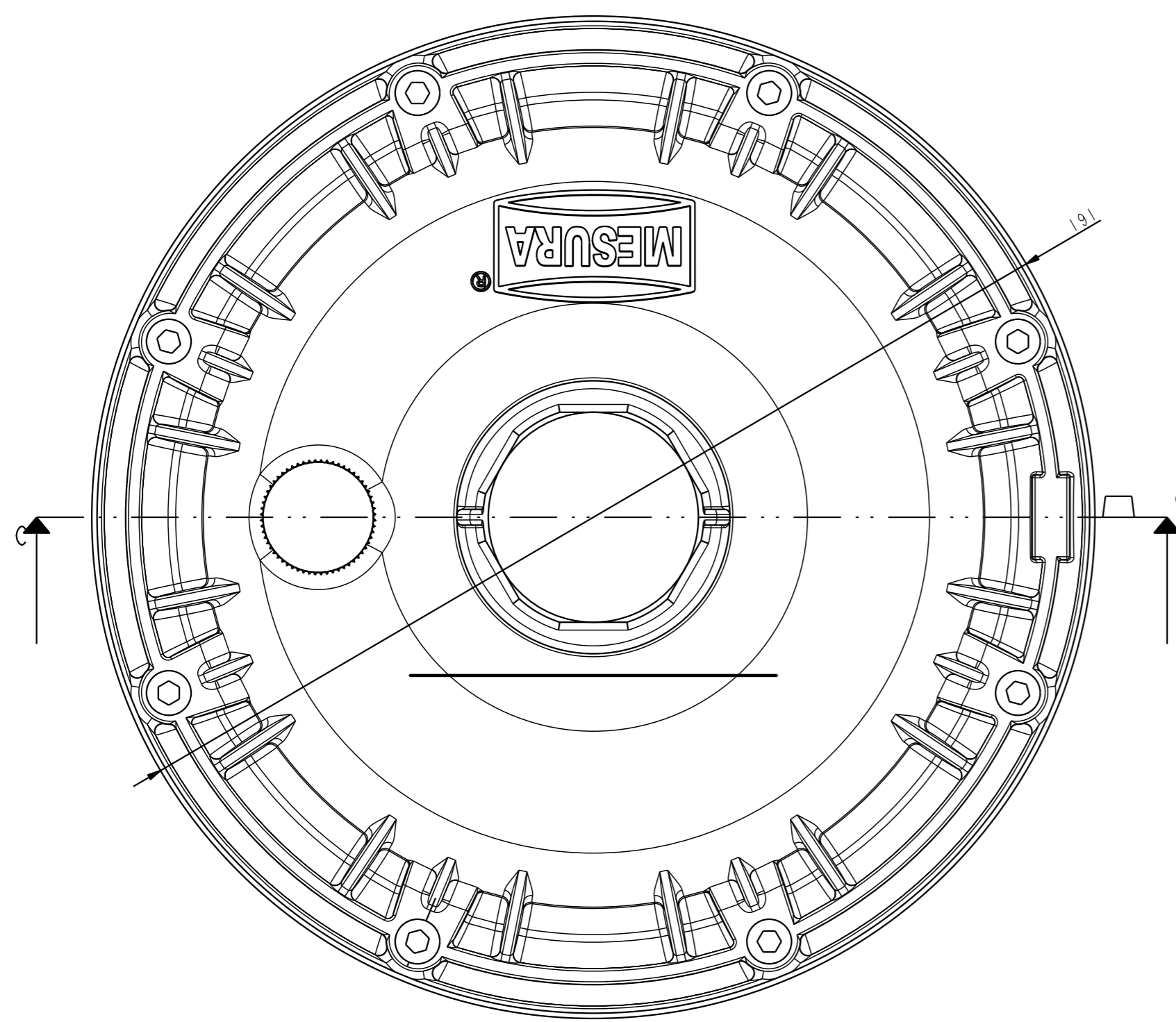
LABEL FOR EXPEDITION BOX

Pressure Regulator
IPR 150 1"x1/2 MP G
Code 21-R-220-2003
Calibration Pds: 300 mbar
Serial N.: E<N>
MADE IN ITALY

REGULATOR ADHESIVE LABEL

MESURA® **MANUFACTURER** Via Matteotti, 5
25012 CALVISANO (BS)
MADE IN ITALY

| | | | |
|----------------|------------|---------------|------------------|
| IPR 150 MP | S/N° E<N> | EN334 | Year xxxx |
| 1" x 1/2 | TS class 2 | Pu max 6 bar | Pds 300 mbar |
| Cg 281 PS | 20 bar | Bpu 0.5-5 bar | Wds 200-350 mbar |
| AC 5 PSD | 6 bar | NATURAL GAS | Wd 150-500 mbar |
| SG 10 Strength | IS Type | Fail to open | Weight x,x kg |



THE INSTRUCTION MUST BE INSERTED IN A PERFORATED BAG AND SECURED WITH A CLAMP TO THE REGULATOR FLANGE

| NO | NO PRODUCT | DENOMINATION | O.TY |
|----|---------------|---|------|
| 1 | 00-1-950-0211 | S/A BODY IPR 150 | 1 |
| 2 | 04-1-110-0624 | O RING Ø42, 52x2, 62(3530806010082) | 1 |
| 3 | 40-1-950-0104 | S/A BALANCED SYSTEM IPR75-150 MP-AP (199000284) | 1 |
| 4 | 22-1-150-0348 | VENTURI HOSE L=72 (1530501202350) | 1 |
| 5 | 21-R-950-0008 | S/A REGULATOR IPR75/150 MP NO PRV&IMPULSE | 1 |
| 6 | 04-1-110-0626 | O RING Ø63, 17x2, 62(3530806010094) | 1 |
| 7 | 19-1-110-0093 | PLUG CLOSED VS1(1530421202164) | 1 |
| 8 | 04-1-110-0625 | O RING Ø20, 63x2, 62(320102029) | 1 |
| 9 | 14-1-110-0127 | SCREW STEI M6X10 ZN(3532015008001) | 4 |
| 10 | 14-1-110-0128 | SCREW TCEI M6X20 ZN(3532015003035) | 2 |
| 11 | 07-1-110-1151 | S2I REGULATION SPRING MP/AP (1530201202179) | 1 |
| 12 | 08-1-110-0111 | SPRING ADJUSTMENT IPR75 (1530421202269) | 1 |
| 13 | 19-1-110-0094 | SUPERIOR PLUG | 1 |
| 14 | 34-1-110-1449 | INSTRUCTION IPR(ISTO28UTE) | 1 |
| 15 | 23-1-210-0813 | POLYBAG 160x110 | 1 |
| 16 | 20-1-110-0517 | CABLES TIES 200x3.6 mm - Ø MAX 50 mm | 1 |
| 17 | 34-1-310-1952 | ADHESIVE REGULATOR LABEL | 1 |
| 18 | 23-1-210-0928 | SINGLE BOX IPR&VDB 75-150(199001137) | 1 |
| 19 | 34-1-210-8005 | LABEL FOR EXPEDITION BOX | 1 |

| | | | | | | | |
|------------------|--|-------------------------|---------------|----------------------|------------|-------------|--------------|
| DENOMINATION | | IPR 150 1"x1/2 G Pds300 | | NATURAL.GAS 300 mbar | | N.A. | |
| RECA | | MODEL | IPR150 | OUTLET | 18 | INLET | Rp 1/2 1507 |
| PERFORMANCE DOC. | | COUNTRY | GRECIA | COUNTRY SPECIFIC | N.A. | SCALE | 1:1 |
| PROD. EVOLUTION | | PROJECT NO | DNG08919 | RELEASE LEVEL | STUDY WIP | DATE | 12/02/24 |
| DEFINITIVE | | DRAWN BY | CHORINI M. | VERIFIED BY | PERETTI A. | APPROVED BY | TOMASELLI L. |
| | | PRODUCT NO | 21-R-220-2003 | | REV | 0 | |

Questo disegno non può essere riprodotto, né comunicato a terzi, senza autorizzazione scritta della Covagna Group S.p.A. - Via Matteotti, 5 - Calvisano (BS) - Italy