

6

5

4

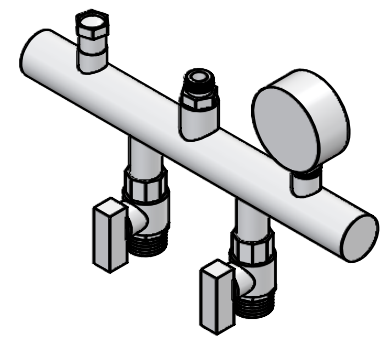
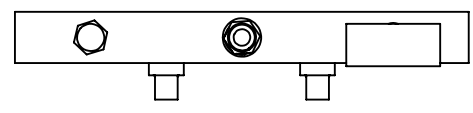
3

2

1

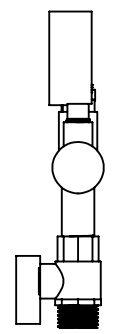
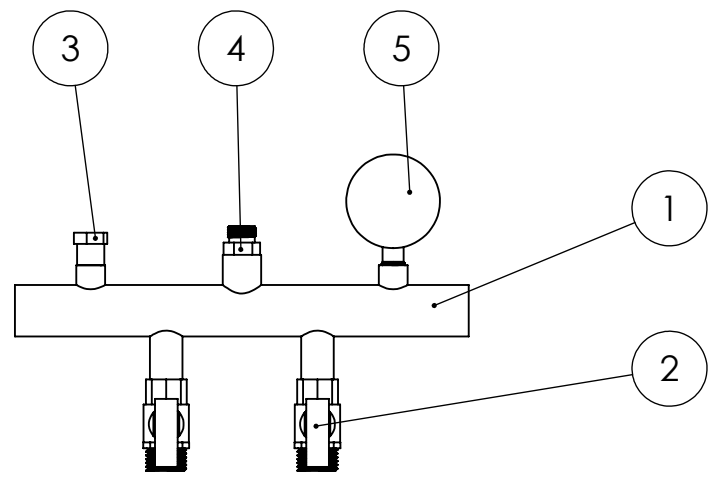
D

D



C

C



B

B

A

A



	NAME	SIGNATURE	DATE	TITLE:
DRAWN				
CHK'D				
APPVD				
MFG				
Q.A				

DWG NO. **991.16.10.10**

A4



SCALE:1:5

SHEET 1 OF 3

6

5

4

3

2

1

6

5

4

3

2

1

D

D

C

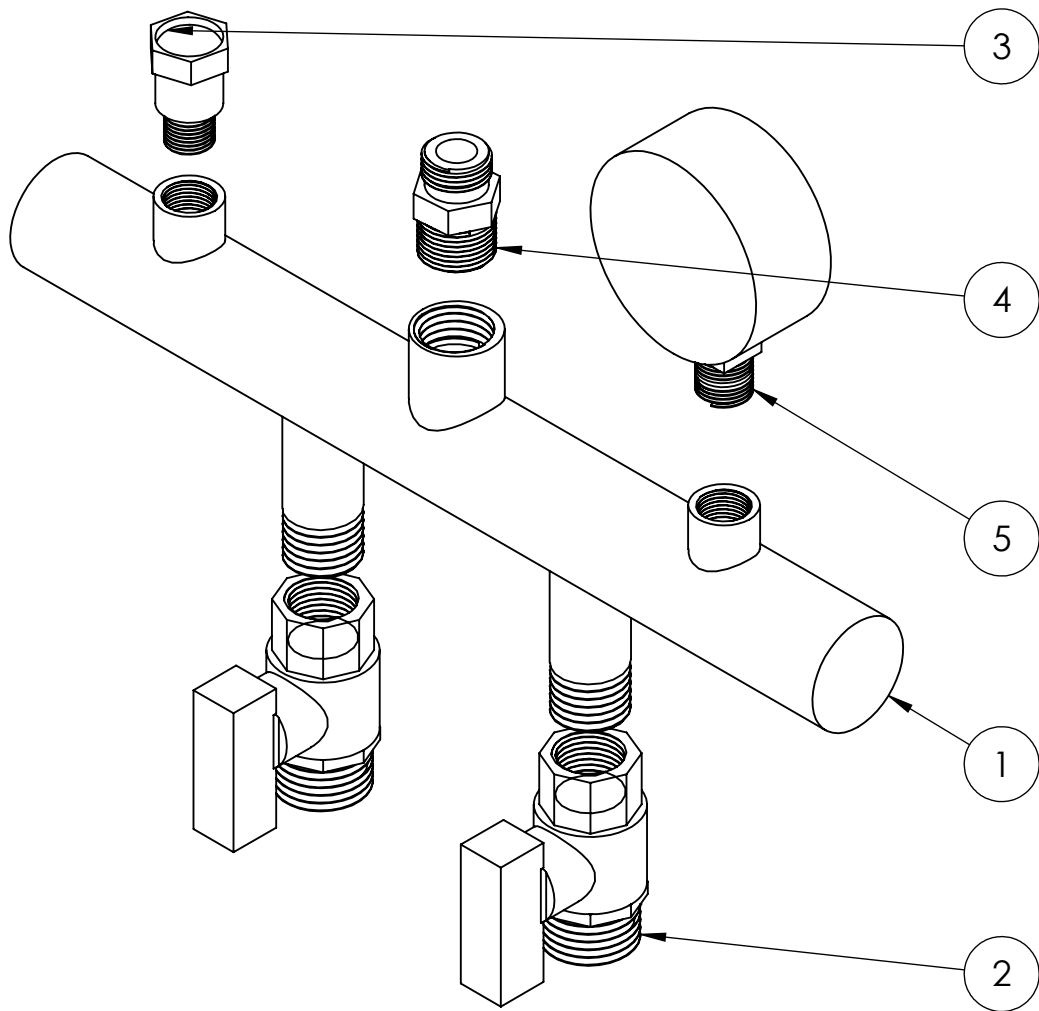
C

B

B

A

A



ITEM NO.	PART NUMBER	QTY.
1	991.16.10.10	1
2	205.14.25.13	2
3	210.18.11.11	1
4	210.39.13.13	1
5	704.31.36.16	1



	NAME	SIGNATURE	DATE
DRAWN			
CHK'D			
APPV'D			
MFG			
Q.A			

TITLE:	
DWG NO.	991.16.10.10
	A4



SCALE:1:5

SHEET 2 OF 3

6

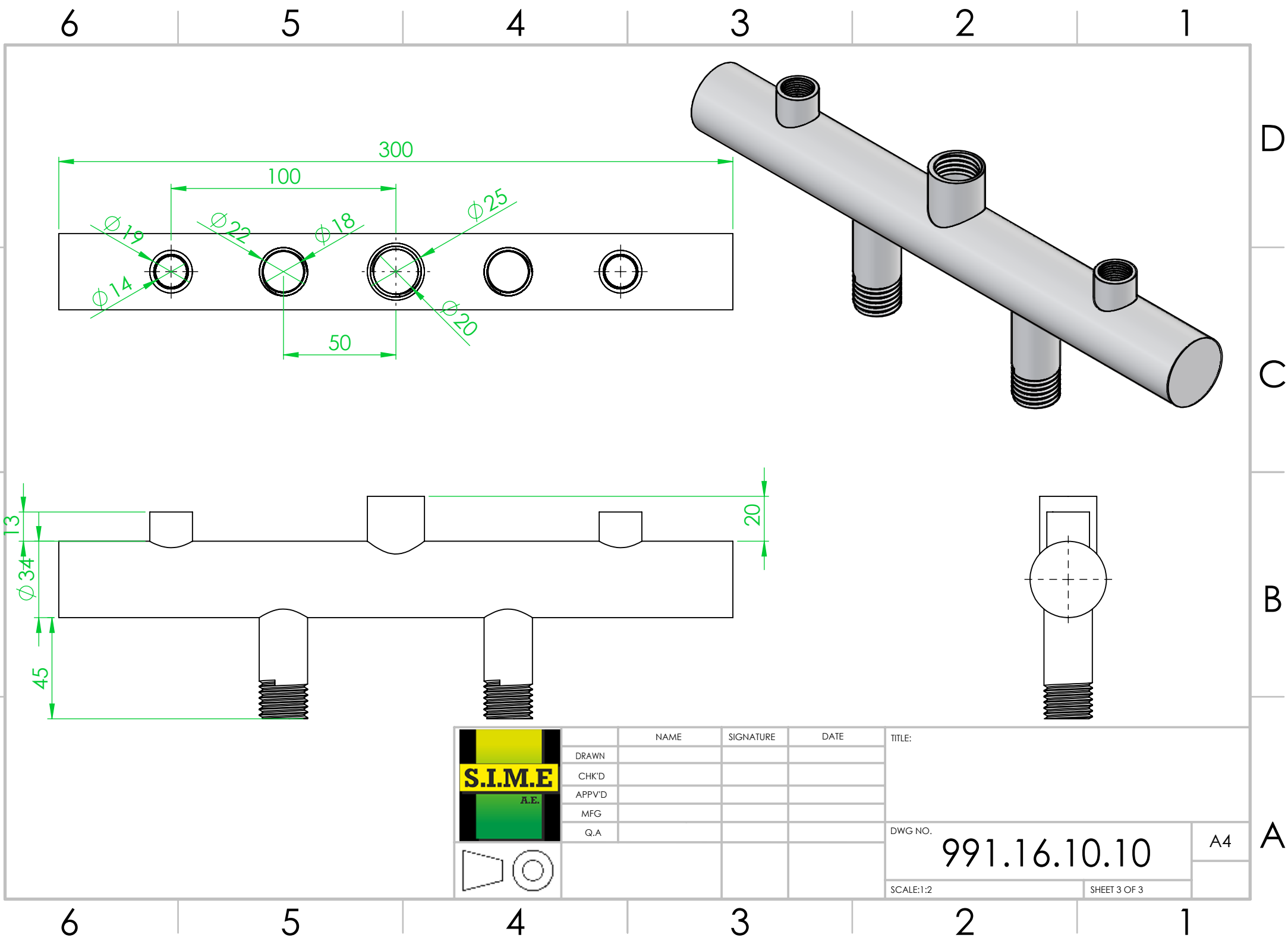
5

4

3

2

1



	NAME	SIGNATURE	DATE	TITLE:
DRAWN				
CHK'D				
APPVD				
MFG				
Q.A				

DWG NO.	991.16.10.10	A4
SCALE:1:2	SHEET 3 OF 3	

