

6

5

4

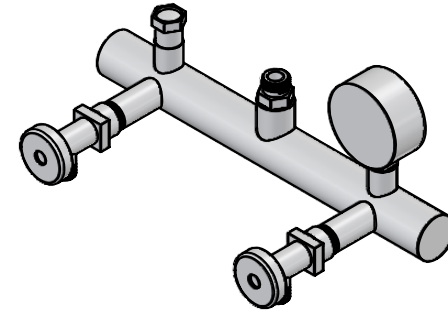
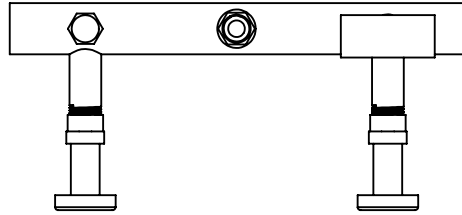
3

2

1

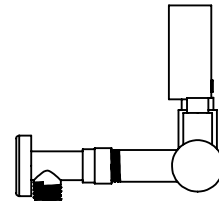
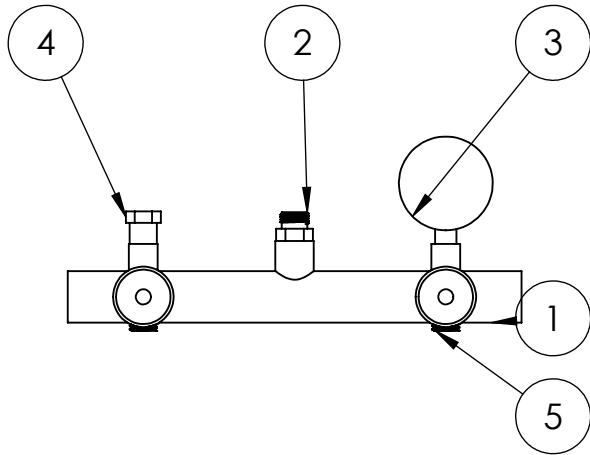
D

D



C

C



ITEM NO.	PART NUMBER	QTY.
1	991.16.10.20	1
2	210.39.13.13	1
3	704.31.36.16	1
4	210.18.11.11	1
5	210.33.19.13	2

B

B



	NAME	SIGNATURE	DATE	TITLE:
DRAWN				
CHK'D				
APPVD				
MFG				
Q.A				

DWG NO. **991.16.10.20**

A4



SCALE:1:5

SHEET 1 OF 3

6

5

4

3

2

1

A

A

6

5

4

3

2

1

D

D

C

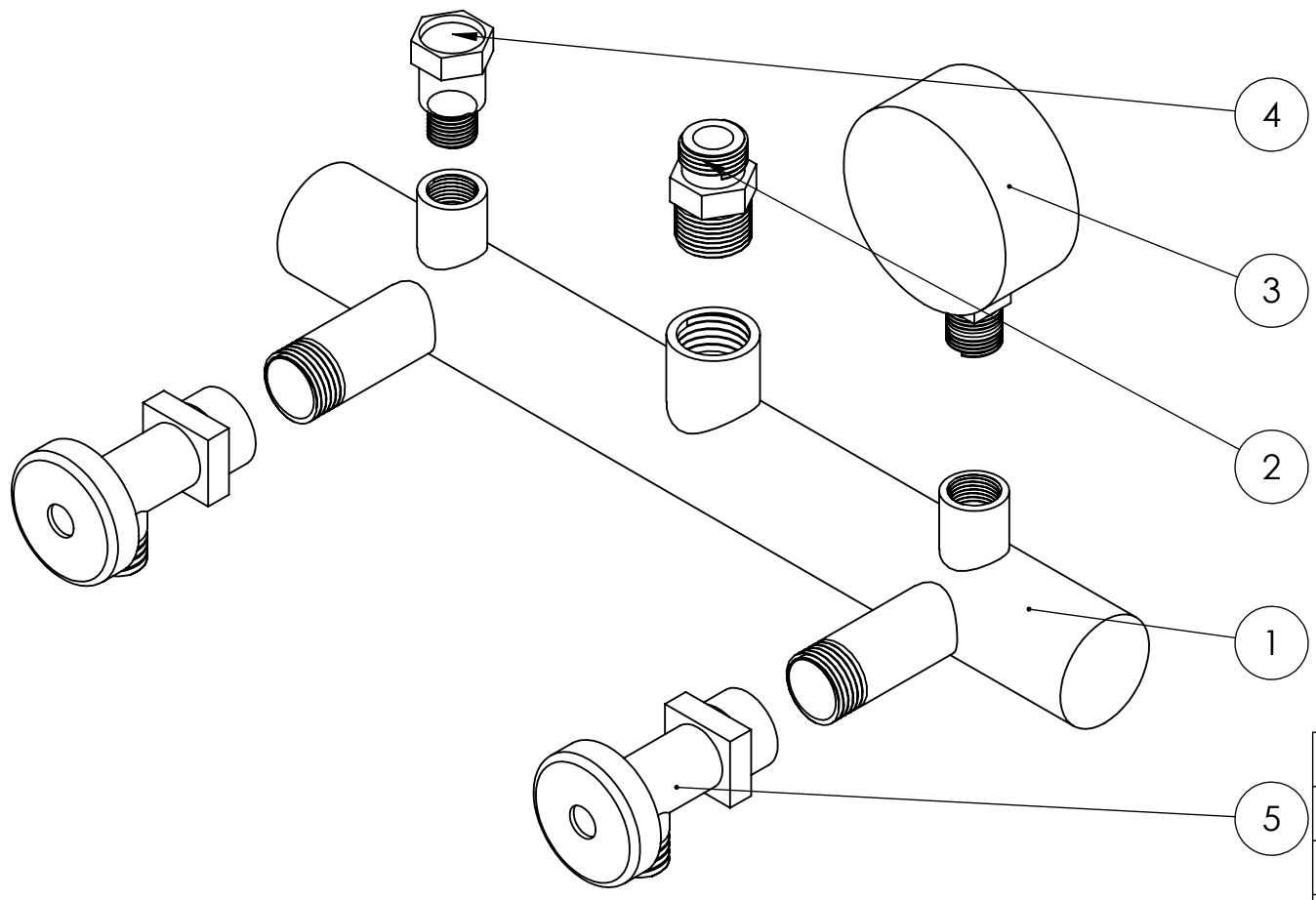
C

B

B

A

A



ITEM NO.	PART NUMBER	QTY.
1	991.16.10.20	1
2	210.39.13.13	1
3	704.31.36.16	1
4	210.18.11.11	1
5	210.33.19.13	2



	NAME	SIGNATURE	DATE
DRAWN			
CHK'D			
APPV'D			
MFG			
Q.A			

TITLE:	
DWG NO.	991.16.10.20
SCALE:1:2	SHEET 2 OF 3
	A4



6

5

4

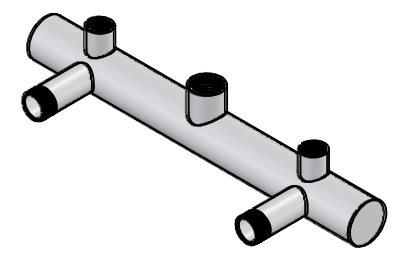
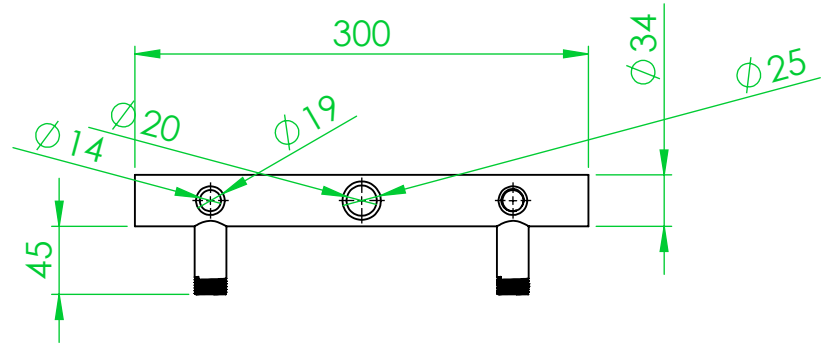
3

2

1

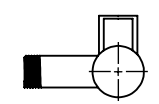
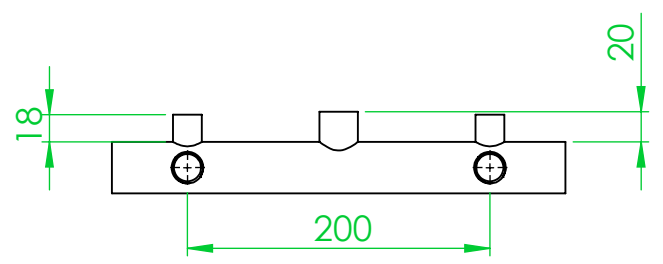
6 5 4 3 2 1

D



D

C





C

B

B

A

A

	NAME	SIGNATURE	DATE	TITLE:
	DRAWN			
	CHK'D			
	APPVD			
	MFG			
Q.A				
				DWG NO.
				991.16.10.20
				A4
SCALE:1:5				SHEET 3 OF 3

6 5 4 3 2 1