

6

5

4

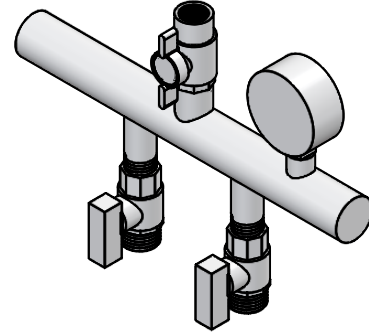
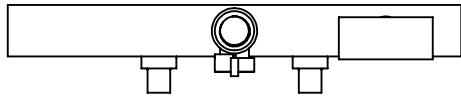
3

2

1

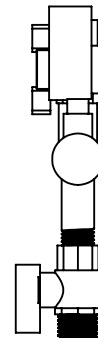
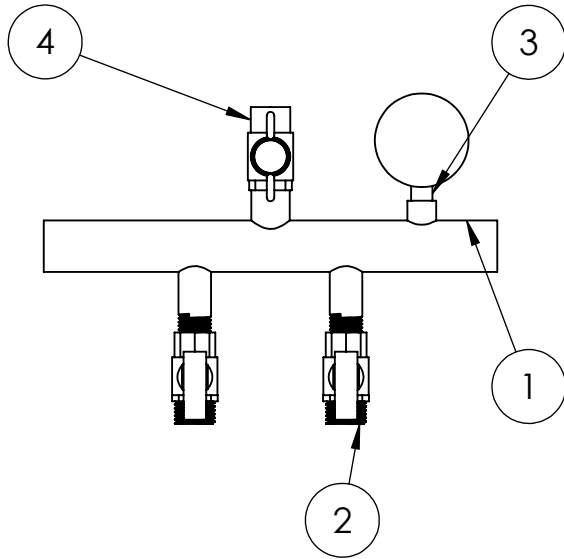
D

D



C

C



B

B

ITEM NO.	PART NUMBER	QTY.
1	991.16.11.10	1
2	205.14.25.13	2
3	704.31.36.16	1
4	251.14.10.13	1

A

A



	NAME	SIGNATURE	DATE	TITLE:
DRAWN				
CHK'D				
APPVD				
MFG				
Q.A				

DWG NO. **991.16.11.10**

A4



SCALE:1:5 SHEET 1 OF 3

6

5

4

3

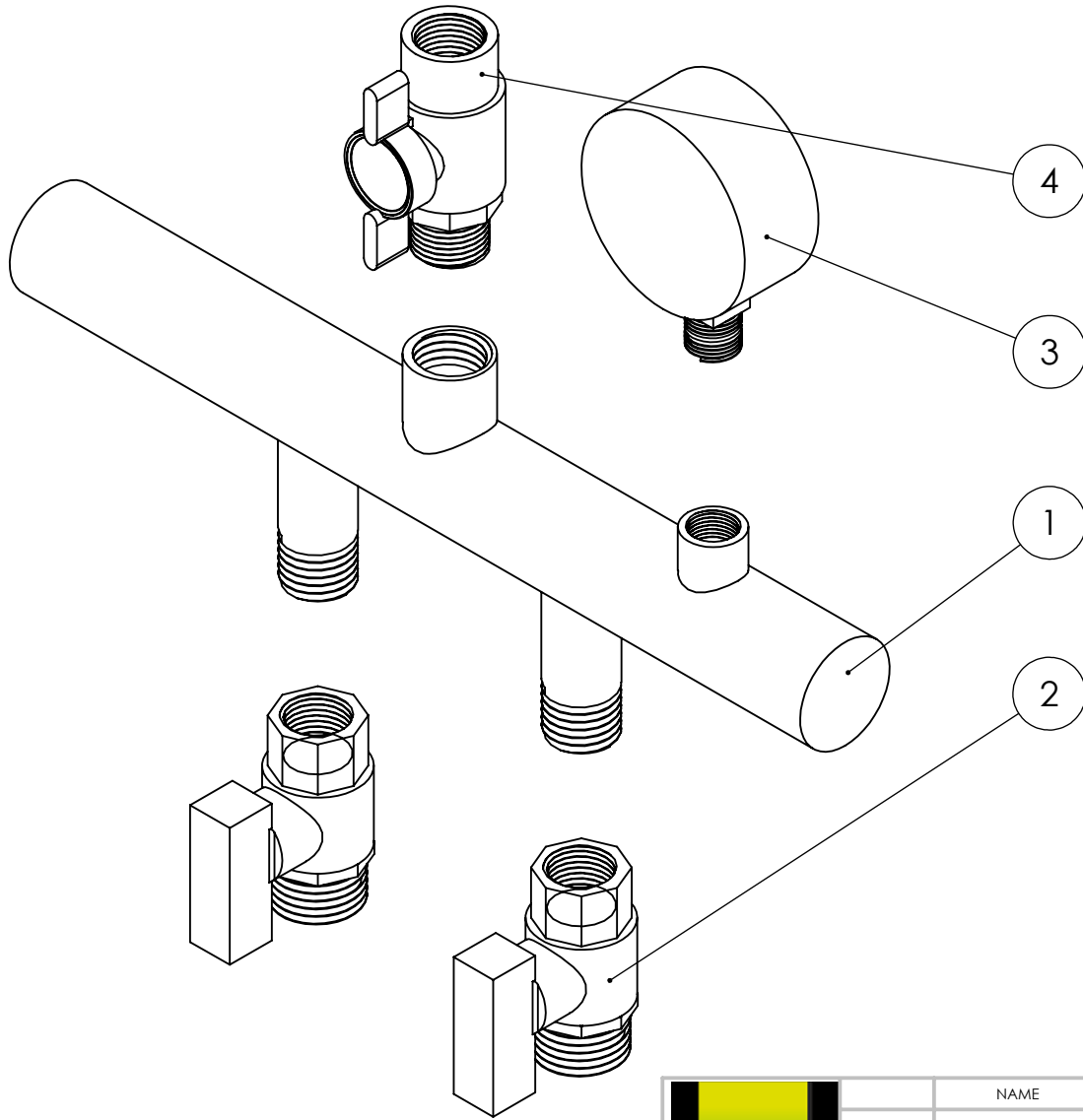
2

1

6 5 4 3 2 1

D
C
B
A

D
C
B
A



ITEM NO.	PART NUMBER	QTY.
1	991.16.11.10	1
2	205.14.25.13	2
3	704.31.36.16	1
4	251.14.10.13	1



	NAME	SIGNATURE	DATE	TITLE:
DRAWN				
CHK'D				
APPVD				
MFG				
Q.A				

DWG NO.	991.16.11.10	A4
SCALE:1:2		

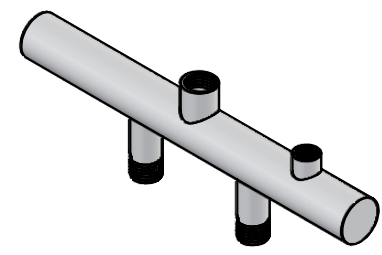
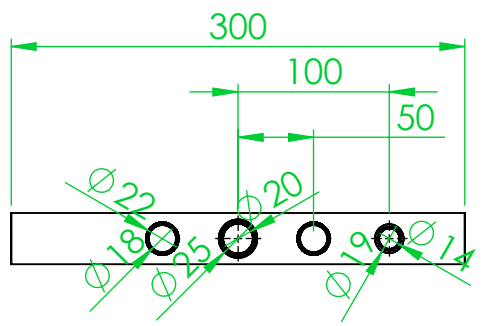


6 5 4 3 2 1

6 5 4 3 2 1

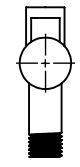
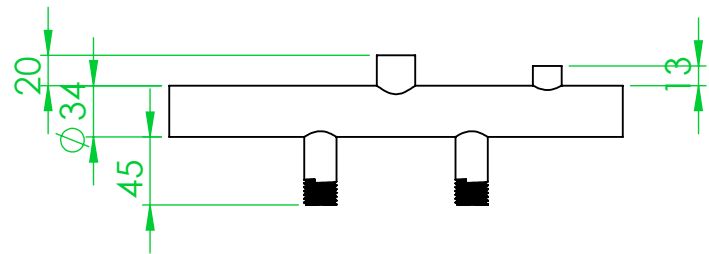
D

D



C

C



B

B

A

A



	NAME	SIGNATURE	DATE	TITLE:
DRAWN				
CHK'D				
APPVD				
MFG				
Q.A				

DWG NO. **991.16.11.10**

A4

SCALE:1:5

SHEET 3 OF 3

6 5 4 3 2 1